



VALKEA
SCANDINAVIAN CABINS

GARDEN BUILDING CATALOGUE



4 PLAY HOUSES

8 28mm BUILDINGS

20 34mm BUILDINGS

26 40mm BUILDINGS

29 44mm BUILDINGS

45 70mm BUILDINGS

51 GARAGES

57 GAZEBOS

64 AFRICAN THATCH ENCLOSURES

72 BBQ HUTS

78 SAUNAS

83 WOOD FIRED HOT TUBS

Introduction

With the Valkea Garden Buildings product range you can make your outdoor dreams come true.



Our specially chosen designs for buildings, gazebos, hot tub enclosures, saunas, bbq huts and wood fired hot tubs are sure to provide the perfect solution to your garden building or outdoor leisure needs.

Quality is assured with our 5 year guarantee.

Social Responsibility

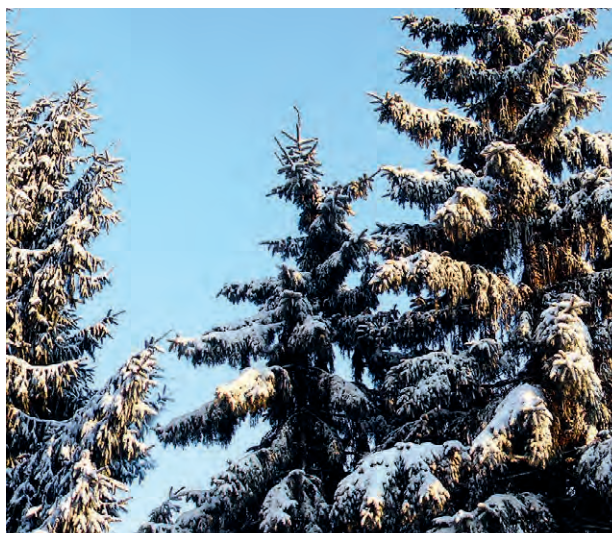
Although wood is a sustainable and regenerative natural resource, forestry requires careful and responsible management. An uncaring and irresponsible attitude towards forestry management will inevitably harm our environment significantly.

We all have heard stories about the loss of some rain-forests, but this concern applies equally to our Nordic and Cedar forests as well.

Valkea is FSC certified ensuring that we use wood from responsibly managed forests.

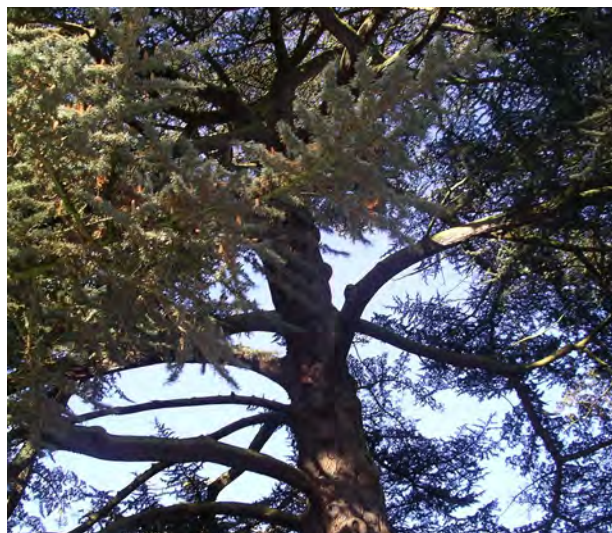


The mark of
responsible forestry



Nordic Spruce

All Valkea Garden Building products are made of Nordic spruce. Due to the long and cold winters the trees are growing slowly, which makes the timber especially thick and durable. And the aroma - there is nothing to compare to the wonderful aroma of fresh timber.



Cedar

All Valkea Gazbo, Saunas and Wooden Hot Tubs are made from Canadian Cedar this highly revered, durable wood is smells beautiful, is naturally resistant to rot, decay and insect attacks, which means all of our cedar products will last longer and require less maintenance

5 Years Warranty

We are sure about what we do and therefore we give 5 years guarantee to all our products. Our products are well known for their quality. We also process and package our products using the latest technology and machinery.

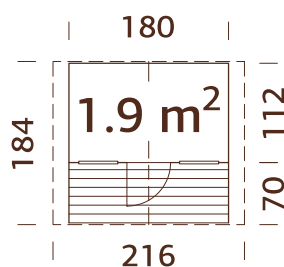
We'd be delighted to begin your Valkea experience today.



PLAY HOUSES

Every child dreams of its very own small house where they can hide and play. Let's help to make their dream come true. We grown-ups sometimes get too serious in our everyday hustle and bustle - let our children's play and laughter remind us again how to enjoy life!

Broward 1.9 m²



Ready-made wall elements.



16 mm



169 cm



Included 16mm

MODEL SPECIFICATIONS

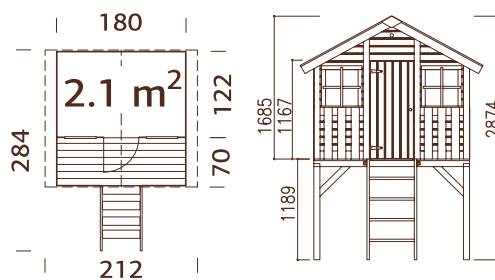
Wall measurements: 180x112(180)cm
 Wall height: 117cm
 Volume: 3,0 m³
 Door/window glass: Plexiglass

Fixed window, measurements: 40x44 cm
 Door opening measurements: 49x115 cm
 Roof boards: 16 mm
 Roof area: 4,6 m²
 Roof gradient: 29,0°

OPTIONAL

Roofing felt: 1 roll, shingles: 2 packs, roofing nails.
 Can also be ordered with a clear white or brown dip treatment.

San Bernardino 2.1 m²



Ready-made wall elements.



16 mm



169/287 cm



Included 16mm

MODEL SPECIFICATIONS

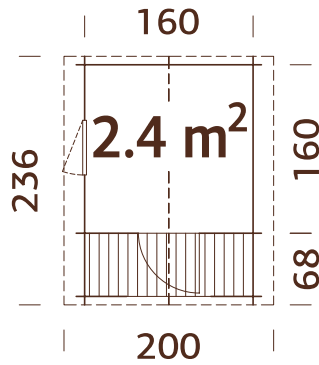
Wall measurements: 180x122(190) cm
 Wall height: 117 cm
 Volume: 3,0 m³
 Door/window glass: Plexiglass

Fixed window, measurements: 40x44 cm
 Door opening measurements: 49x115 cm
 Roof boards: 16 mm
 Roof area: 4,6 m²
 Roof gradient: 29,0°

OPTIONAL

Roofing felt: 1 roll, shingles: 2 packs, roofing nails. Can also be ordered with a clear white or brown dip treatment.

Monroe 2.4 m²



Terrace boards are treated.



19 mm



188 cm



Included 16 mm

MODEL SPECIFICATIONS

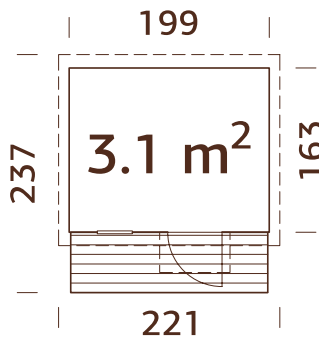
Log measurements: 176x176(236) cm
 Wall height: 148 cm
 Volume: 4,1 m³
 Door/window glass: Plexiglass

Window opening measurements: 47x47 cm
 Door opening measurements: 67x131 cm
 Roof boards: 16 mm
 Roof area: 5,3 m²
 Roof gradient: 27,1°

OPTIONAL

Roofing felt: 1 roll, shingles: 3 packs, roofing nails..
 Can also be ordered with a clear white or brown dip treatment.

Franklin 3.1 m²



Ready-made wall elements



16 mm



187 cm



Included 16 mm

MODEL SPECIFICATIONS

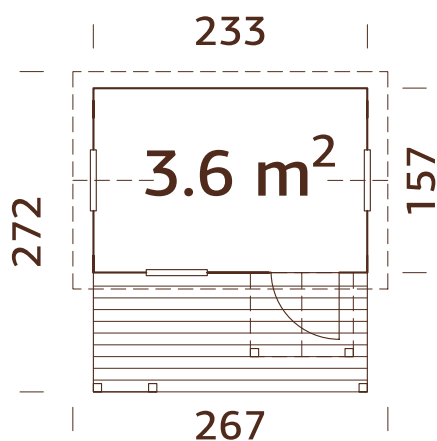
Wall measurements: 199x163(223) cm
 Wall height: 156 cm
 Volume: 5,14 m³
 Door/window glass: Plexiglass

Fixed window, measurements: 35x116 cm
 Door opening measurements: 54x141 cm
 Roof boards: 16 mm
 Roof area: 4,1 m²
 Roof gradient: 9,0°
 Roofing felt: Included

OPTIONAL

Can also be ordered with a clear white or brown dip treatment.

Salt Lake 3.6 m²



Ready-made wall elements.



16 mm



219 cm



Included 16 mm

MODEL SPECIFICATIONS

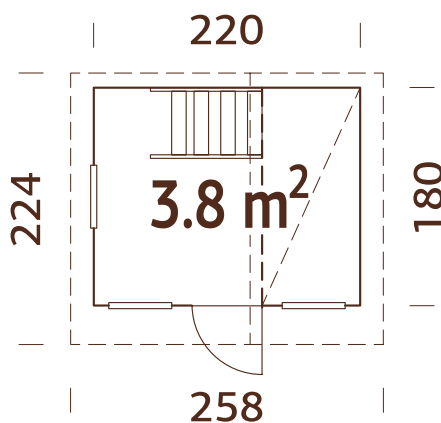
Wall measurements: 233x157(258) cm
 Wall height: 138 cm
 Volume: 6,4 m³
 Door/window glass: Plexiglass

Fixed window, measurements: 56x56 cm
 Door opening measurements: 55x112 cm
 Roof boards: 16 mm Roof area: 7,1 m² Roof gradient: 40,0°

OPTIONAL

Roofing felt: 1 roll, shingles: 3 packs, roofing nails.
 Can also be ordered with a clear white or brown dip treatment.

Hamilton 3.8 m²



Ready-made wall elements.



16 mm



228 cm



Included 16 mm

MODEL SPECIFICATIONS

Wall measurements: 220x180 cm Wall height: 125/177 cm
 Volume: 6,5 m³
 Door/window type: Plexiglass

Fixed window, measurements: 35x35 cm
 Door/window glass: 48x115 cm
 Door opening measurements: 151x175 cm
 Roof boards: 16 mm
 Roof area: 7,0 m²
 Roof gradient: 37,0; 31,0°

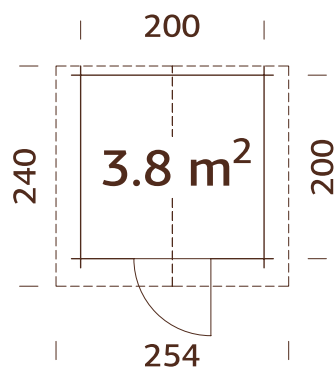
OPTIONAL

Roofing felt: 1 roll, shingles: 3 packs, roofing nails.
 Can also be ordered with a clear white or brown dip treatment.



28mm

Perfect for use as summer houses, sheds and garden office (or simply for some privacy). Constructed from slow-growing Nordic timber, the grain of the wood is dense and close - so the timber provides enough insulation for all the summer months and is robust enough to offer protection against the elements.

UNDER
PLANNINGColumbus 1 4.7 m²under
2.5 m

28 mm



222 cm



Included 16mm

MODEL SPECIFICATIONS

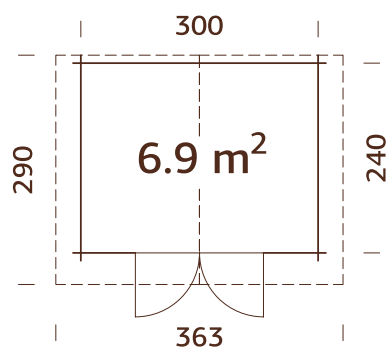
Log measurements: 220x220 cm Wall
height: 190 cm
Volume: 8,1 m³
Door/window type: Garden Door/
window glass:
Real glass, 4 mm

Door opening measurements:
74x175 cm

Door sill: low, covered with stainless steel
Roof boards: 19 mm
Roof area: 6,2 m²
Roof gradient: 16,3°

OPTIONAL

Roofing felt: 1 roll, shingles:
3 packs, roofing nails, rain
gutters, additional door.
Can also be ordered with
a clear white or brown dip
treatment.

Columbus 7.3 m²under
2.5 m

28 mm



245 cm



Included 16mm

MODEL SPECIFICATIONS

Log measurements: 320x260 cm
Wall height: 194 cm
Volume: 16,1 m³
Door/window type: Garden Door/
window glass:
Real glass, 4 mm

Door opening measurements:
151x175 cm

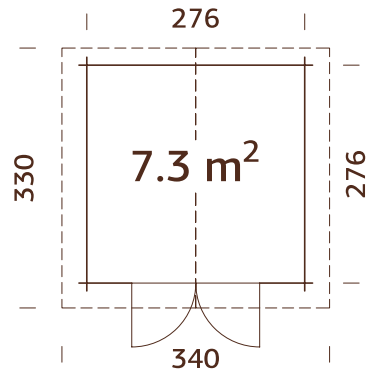
Door sill: low, covered with stainless steel
Roof boards: 19 mm
Roof area: 11,0 m²
Roof gradient: 19,2°

OPTIONAL

Roofing felt: 2 rolls, shingles:
5 packs, roofing nails, rain
gutters, terrace, extension,
additional door. Can also be
ordered with a clear white or
brown dip treatment.

New Jersey 7.3 m²

under 2.5 m



28 mm



234 cm



NB! Floor is an optional extra! 19 mm

MODEL SPECIFICATIONS

Log measurements: 296x296 cm Wall height: 194 cm
 Volume: 15,5 m³
 Door/window type: Garden Door/
 window glass:
 Real glass, 4 mm

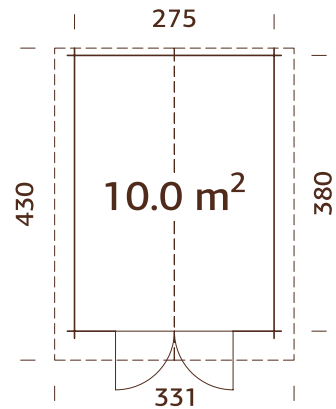
Door opening measurements: 151x175 cm
 Door sill: low, covered with stainless steel
 Roof boards: 16 mm
 Roof area: 11,5 m²
 Roof gradient: 16,2°

OPTIONAL

Floor, roofing felt: 3 rolls, shingles: 5 packs, roofing nails, rain gutters, extension, canopy roof, additional door. Can also be ordered with a clear white or brown dip treatment.

UNDER PLANNING

New Jersey 1 10.0 m²



34 mm



234 cm



NB! Floor is an optional extra! 19 mm

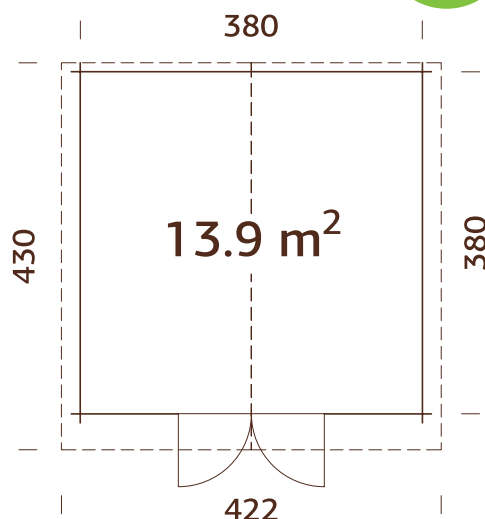
MODEL SPECIFICATIONS

Log measurements: 295x400 cm Wall height: 182 cm
 Volume: 20,8 m³
 Door/window type: Garden Door/
 window glass:
 Real glass, 4 mm

Door opening measurements: 151x175 cm
 Door sill: wooden
 Roof boards: 16 mm
 Roof area: 15,1 m²
 Roof gradient: 20,9°

OPTIONAL

Floor, roofing felt: 3 rolls, shingles: 6 packs, roofing nails, rain gutters, canopy roof. Can also be ordered with a clear white or brown dip treatment.

UNDER
PLANNING**Austin** 13.9 m²under
2.5 m

34 mm



245 cm

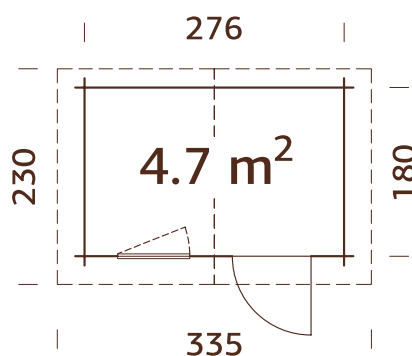
NB! Floor is an
optional extra!
19 mm**MODEL SPECIFICATIONS**

Log measurements: 400x400 cm Wall
height: 182 cm
Volume: 29,8 m³
Door/window type: Garden Door/
window glass:
Real glass, 4 mm

Door opening measurements:
151x175 cm
Door sill: wooden
Roof boards: 16 mm
Roof area: 19,1 m²
Roof gradient: 18,6°

OPTIONAL

Floor, roofing felt: 3 rolls,
shingles: 8 packs, roofing nails,
rain gutters, canopy roof. Can
also be ordered with a clear
white or brown dip treatment.

UNDER
PLANNING**Witchita** 4.7 m²

28 mm



234 cm

NB! Floor is an
optional extra!
19 mm**MODEL SPECIFICATIONS**

Log measurements: 296x200 cm Wall
height: 194 cm
Volume: 10,1 m³
Door/window type: Garden Door/
window glass:
Real glass, 4 mm

Window opening measurements: 67x89 cm
Door opening measurements: 74x175 cm
Door sill: low, covered with stainless steel
Roof boards: 16 mm
Roof area: 8,0 m² Roof gradient: 16,2°

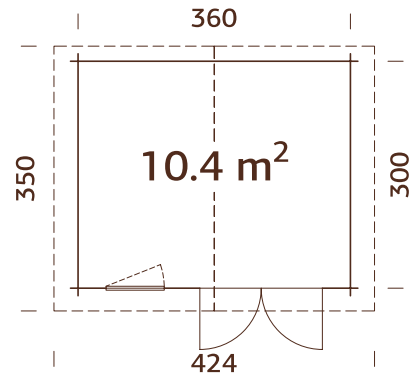
OPTIONAL

Floor, roofing felt: 2 rolls,
shingles: 4 packs, roofing nails,
rain gutters, window shutters,
window boxes. Can also be
ordered with a clear white or
brown dip treatment.

UNDER PLANNING

Jacksonville 10.4 m²

under 2.5 m



28 mm



245 cm



NB! Floor is an optional extra! 19 mm

MODEL SPECIFICATIONS

Log measurements: 380x320 cm Wall height: 194 cm
 Volume: 22,9 m³
 Door/window type: Garden Door/window glass: Real glass, 4 mm
 Window opening measurements: 67x89 cm

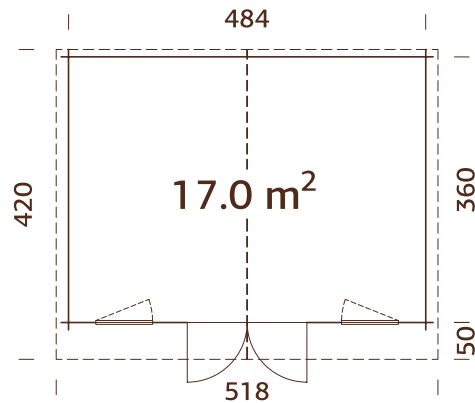
Door opening measurements: 151x175 cm
 Door sill: low, covered with stainless steel
 Roof boards: 16 mm Roof area: 15,4 m²
 Roof gradient: 16,1°

OPTIONAL

Floor, roofing felt: 3 rolls, shingles: 6 packs, roofing nails, rain gutters, terrace, extension, canopy roof, window shutters, window boxes. Can also be ordered with a clear white or brown dip treatment.

UNDER PLANNING

Jacksonville 1 17.0 m²



28 mm



245 cm



NB! Floor is an optional extra! 16 mm

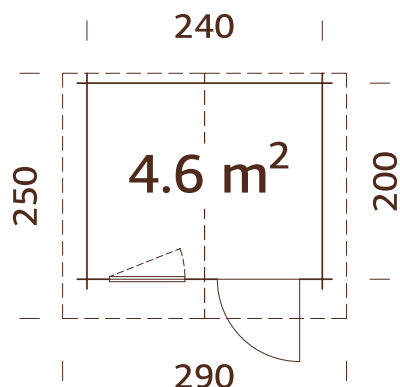
MODEL SPECIFICATIONS

Log measurements: 504x380 cm Wall height: 182 cm
 Volume: 36,3 m³
 Door/window type: Garden Door/window glass: Real glass, 4 mm
 Window opening measurements: 67x89 cm

Door opening measurements: 140x174 cm
 Door sill: low, covered with stainless steel
 Roof boards: 16 mm
 Roof area: 22,4 m²
 Roof gradient: 14,6°

OPTIONAL

Floor, roofing felt: 4 rolls, shingles: 10 packs, roofing nails, rain gutters, canopy roof, window shutters, window boxes. Can also be ordered with a clear white or brown dip treatment.

UNDER
PLANNING**Columbia** 4.6 m²under
2.5 m

28 mm

222 cm

Included 19 mm

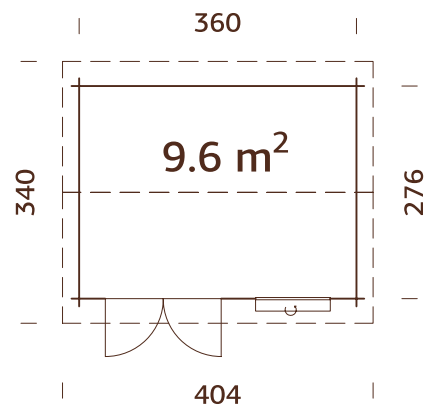
MODEL SPECIFICATIONS

Log measurements: 260x220 cm Wall height: 194 cm
Volume: 10,2 m³
Door/window type: Garden
Door/window glass: Real glass, 4 mm
Window opening measurements: 67x89 cm

Door opening measurements: 74x175 cm
Door sill: low, covered with stainless steel
Roof boards: 19 mm Roof area: 7,4 m² Roof gradient: 13,7

OPTIONAL

Roofing felt: 2 rolls, shingles: 4 packs, roofing nails, rain gutters, window shutters, window boxes, additional door and window. Can also be ordered with a clear white or brown dip treatment.

GARDEN
OFFICEUNDER
PLANNING**San Antonio** 9.6 m²

Includes door and window bars.



28 mm

249 cm

Included 19 mm

MODEL SPECIFICATIONS

Log measurements: 380x296 cm Wall height: 211 cm Volume: 21,6 m³
Door/window type: Garden Door/window glass: Real glass, 4 mm
Window opening measurements: 77x121 cm

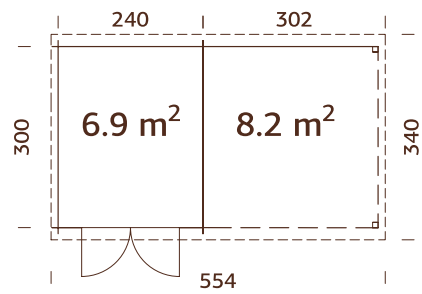
Door opening measurements: 151x175 cm
Door sill: low, covered with stainless steel
Roof boards: 16 mm
Roof area: 14,0 m² Roof gradient: 16,2

OPTIONAL

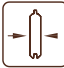

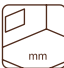
Roofing felt: 3 rolls, shingles: 6 packs, roofing nails, rain gutters, terrace, window boxes, additional door. Can also be ordered with a clear white or brown dip treatment.

UNDER PLANNING **STORAGE**

Honolulu 1 6.9 + 8.2 m²



Can be built in reverse!

-  28 mm
-  214 mm
-  NB! Floor is an optional extra! 19 mm

MODEL SPECIFICATIONS

Log measurements: 550x320 cm
 Wall height: 199 cm Volume: 14,2+16,6 m³
 Door/window type: Garden Door/window glass: Real glass, 4 mm
 Door opening measurements: 151x175 cm

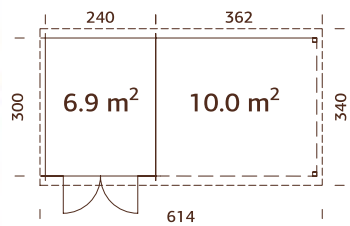
Door sill: low, covered with stainless steel
 Roof boards: 19 mm
 Roof area: 18,5 m²
 Roof gradient: 2,2°

OPTIONAL

Floor, roofing felt: 5 rolls, roofing nails, EPDM, rain gutters, additional door. Can also be ordered with a clear white or brown dip treatment.

UNDER PLANNING **STORAGE**

Honolulu 2 6.9 + 10.0 m²



Can be built in reverse!

-  28 mm
-  214 mm
-  NB! Floor is an optional extra! 19 mm

MODEL SPECIFICATIONS

Log measurements: 610x320 cm Wall height: 199 cm
 Volume: 14,2+19,9 m³ Door/window type: Garden Door/window glass: Real glass, 4 mm

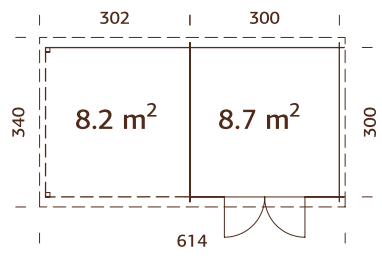
Door opening measurements: 151x175 cm
 Door sill: low, covered with stainless steel
 Roof boards: 19 mm
 Roof area: 20,5 m²
 Roof gradient: 2,2°

OPTIONAL




Floor, roofing felt: 5 rolls, roofing nails, EPDM, rain gutters, additional door. Can also be ordered with a clear white or brown dip treatment.

UNDER PLANNING **STORAGE**

Honolulu 8.7+ 8.2 m²



Can be built in reverse!

-  28 mm
-  214 cm
-  NB! Floor is an optional extra! 19 mm

MODEL SPECIFICATIONS

Log measurements: 610x320 cm Wall height: 199 cm
 Volume: 17,8+16,6 m³ Door/window type: Garden
 Door/window glass: Real glass, 4 mm

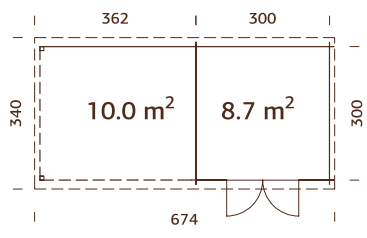
Door opening measurements: 151x175 cm Door sill: low, covered with stainless steel
 Roof boards: 19 mm Roof area: 20,5 m²
 Roof gradient: 2,2°

OPTIONAL




Floor, roofing felt: 5 rolls, roofing nails, EPDM, rain gutters, additional door.
 Can also be ordered with a clear white or brown dip treatment.

UNDER PLANNING

Honolulu 3 8.7+ 10.0 m²



Can be built in reverse!

-  28 mm
-  214 cm
-  NB! Floor is an optional extra! 19 mm

MODEL SPECIFICATIONS

Log measurements: 670x320 cm Wall height: 199 cm
 Volume: 17,8+19,9 m³ Door/window type: Garden
 Door/window glass: Real glass, 4 mm

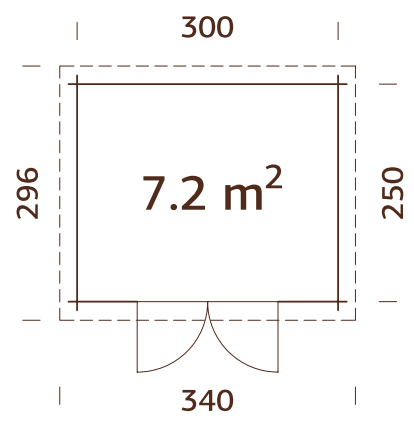
Door opening measurements: 151x175 cm Door sill: low, covered with stainless steel
 Roof boards: 19 mm Roof area: 22,5 m²
 Roof gradient: 2,2°


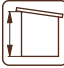
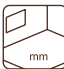
OPTIONAL

Floor, roofing felt: 5 rolls, roofing nails, EPDM, rain gutters, additional door.
 Can also be ordered with a clear white or brown dip treatment.

UNDER PLANNING

Atlanta 8.7 m²



-  28 mm
-  217 cm
-  Included 16 mm

MODEL SPECIFICATIONS

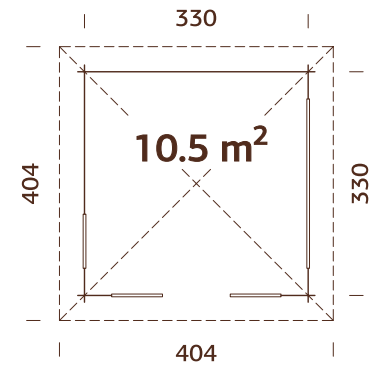
Log measurements: 320x270 cm
 Wall height: 188 cm
 Volume: 14,3 m³
 Door/window glass:
 Real glass, 4 mm

Door opening measurements: 151x174 cm
 Door sill: wooden
 Roof boards: 16 mm
 Roof area: 10,0 m²
 Roof gradient: 5,3°

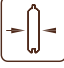

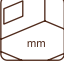
OPTIONAL

Roofing felt: 2 rolls, roofing nails, rain gutters, terrace, canopy roof.
 Can also be ordered with a clear white or brown dip treatment.

Maryland 10.5 m²



Terrace boards are treated!

-  28 mm
-  310 cm
-  Included 19 mm

MODEL SPECIFICATIONS

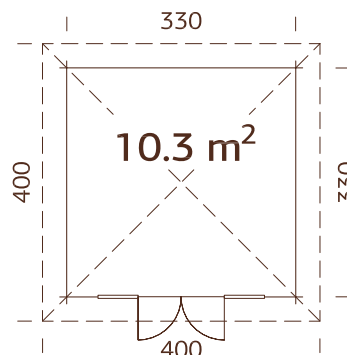
Log measurements: 350x350 cm
 Wall height: 217 cm
 Volume: 26,0 m³
 Roof boards: 19 mm
 Roof area: 17,6 m²
 Roof gradient: 24,7°

OPTIONAL

Shingles: 9 packs, roofing nails.
 Can also be ordered with a clear white or brown dip treatment.



Baltimore 10.3 m²



44 mm



310 cm



Included 19 mm

MODEL SPECIFICATIONS

Log measurements: 350x350 cm Wall height: 222 cm
Volume: 26,0 m³
Door/window type: Garden+ Door/window glass: Double glass, 3-6-3 mm

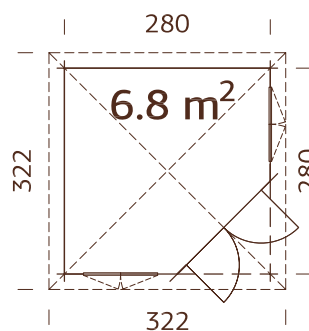
Door opening measurements: 114x187 cm
Door sill: low, covered with stainless steel
Roof boards: 19 mm
Roof area: 17,0 m² Roof gradient: 24,5°

OPTIONAL

Shingles: 8 packs, roofing nails, terrace, additional door. Can also be ordered with a clear white or brown dip treatment.



Kentucky 6.8 + 8.3 m²



* ALSO AVAILABLE UNDER 2,5 M



28 mm



285 cm



Included 19 mm

MODEL SPECIFICATIONS

Log measurements: 300x300 cm Wall height: 217 cm
Volume: 16,3 m³
Door/window type: Garden Door/window glass: Real glass, 4 mm

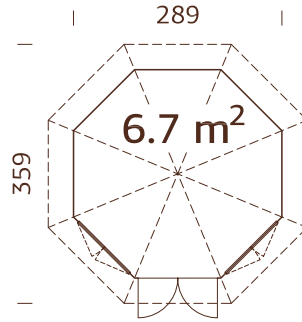
Window opening measurements: 90x145 cm
Door opening measurements: 134x181 cm
Door sill: low, covered with stainless steel
Roof boards: 16 mm
Roof area: 11,9 m²
Roof gradient: 25,0°

OPTIONAL

Shingles: 6 packs, roofing nails, additional window. Can also be ordered with a clear white or brown dip treatment.

- SUMMER HOUSE
- GARDEN OFFICE
- GYM

San Diego 6.7 m²



Ready-made wall and roof elements!

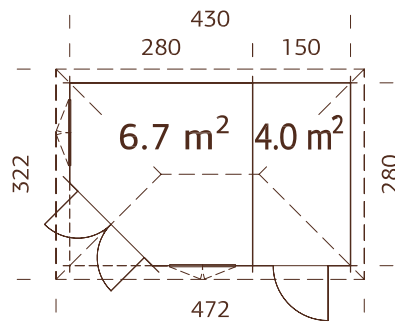
- 28 mm
- 310 cm
- Included 19mm

MODEL SPECIFICATIONS

Diameter: 289 cm
 Wall height: 215 cm Volume: 16,4 m³
 Door/window type: Garden Door/
 window glass:
 Real glass, 4 mm

- SUMMER HOUSE
- GARDEN OFFICE
- GYM
- STORAGE

Ohio 10.7 m²



Can be built in reverse!

- 28 mm
- 310 cm
- Included 19mm

MODEL SPECIFICATIONS

Log measurements : 450x300 cm
 Wall height: 217 cm
 Volume: 17,2+9,9 m³ Door/window
 type: Garden
 Door/window glass: Real glass, 4 mm
 Window opening measurements:
 90x145 cm

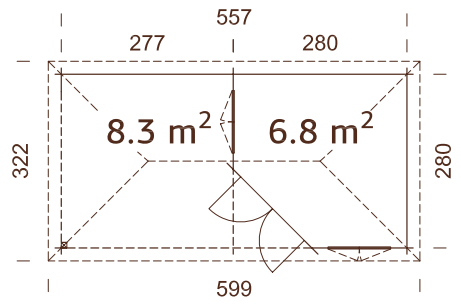
Door opening measurements : 74x181,
 134x181 cm Door sill: low, covered with
 stainless steel
 Roof boards: 16 mm Roof area: 16,9 m²
 Roof gradient: 25,0°

OPTIONAL

Shingles: 8 packs, roofing
 nails, additional window.
 Can also be ordered with
 a clear white or brown dip
 treatment.

- GARDEN OFFICE
- GYM
- STORAGE

Kentucky 1 6.8 + 8.3 m²



Can be built in reverse!

- 28 mm
- 285 mm
- Included 19 mm

MODEL SPECIFICATIONS

Log measurements : 450x300 cm Wall height: 217 cm
 Volume: 17,2+9,9 m³
 Door/window type: Garden
 Door/window glass: Real glass, 4 mm
 Window opening measurements: 90x145 cm

Door opening measurements : 74x181, 134x181 cm Door sill: low, covered with stainless steel
 Roof boards: 16 mm Roof area: 16,9 m²
 Roof gradient: 25,0°

OPTIONAL

Shingles: 8 packs, roofing nails, additional window. Can also be ordered with a clear white or brown dip treatment.



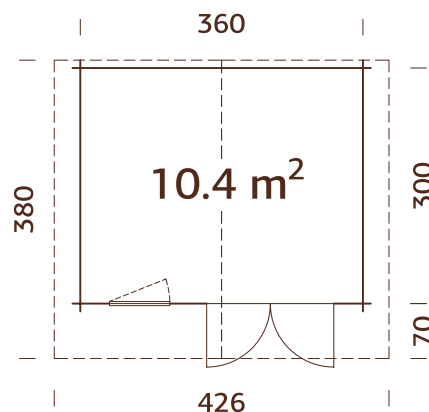


34mm

Popular any-use garden buildings ideal for entertaining in the garden for most of the year. A 34mm cabin is insulated enough for spring sleepovers and warm enough to use as a games room. If you and your children are jostling for space in your home, then a garden building with this type of wall thickness is ideal.

UNDER
PLANNING

North Carolina 10.4 m²



34 mm



257 cm



Included 19 mm

MODEL SPECIFICATIONS

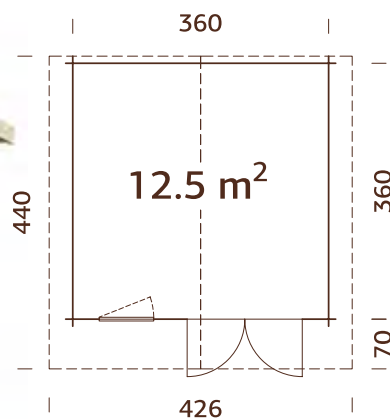
Log measurements: 380x320 cm
 Wall height: 205 cm
 Volume: 23,9 m³
 Door/window type: Garden
 Door/window glass: Real glass, 4 mm
 Window opening measurements: 67x89 cm

Door opening measurements: 151x175 cm
 Door sill: low, covered with stainless steel
 Roof boards: 19 mm
 Roof area: 16,8 m²
 Roof gradient: 16,2°

OPTIONAL

Roofing felt: 3 rolls, shingles: 7 packs, roofing nails, rain gutters, terrace, extension, canopy roof, window shutters, window boxes, additional door and window.

South Carolina 12.5 m²



POSSIBLE TO BUILD UNDER
2,5 M.



34 mm



257 cm



Included 19 mm

MODEL SPECIFICATIONS

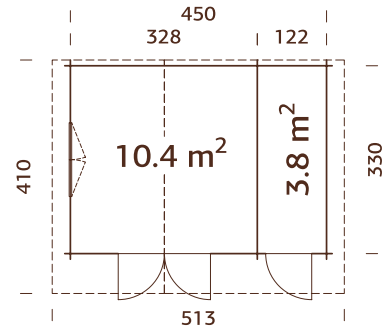
Log measurements: 380x380 cm
 Wall height: 205 cm
 Volume: 28,8 m³
 Door/window type: Garden
 Door/window glass: Real glass, 4 mm

Window opening measurements: 67x89 cm
 Door opening measurements: 151x175 cm
 Door sill: low, covered with stainless steel
 Roof boards: 19 mm
 Roof area: 19,6 m²
 Roof gradient: 16,2°

OPTIONAL

Roofing felt: 3 rolls, shingles: 8 packs, roofing nails, rain gutters, terrace, extension, canopy roof, window shutters, window boxes, additional door and window.

Memphis 14.2 m²



Can be built in reverse!



34 mm



268 cm



Included 19 mm

MODEL SPECIFICATIONS

Log measurements: 470x350 cm
 Wall height: 205 cm
 Volume: 33 m³
 Door/window type: Garden
 Door/window glass: Real glass, 4 mm
 Window opening measurements: 119x89 cm

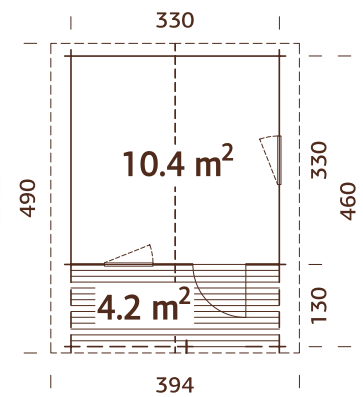
Door opening measurements:
 74x164, 151x175 cm
 Door sill: low, covered with
 stainless steel
 Roof boards: 19 mm
 Roof area: 22,3 m²
 Roof gradient: 21,2; 14,7

OPTIONAL

Roofing felt: 4 rolls, shingles:
 9 packs, roofing nails, rain
 gutters, window shutters,
 window boxes, additional
 door and window. Can also be
 ordered with a clear white or
 brown dip treatment.



Dallas 10.4 + 4.2 m²



Terrace boards are treated.
 NB! Shutters and terrace
 included!



34 mm



257 cm



Included 19 mm

MODEL SPECIFICATIONS

Log measurements:
 350x350(480) cm
 Wall height: 205 cm
 Volume: 24,1 m³ Terrace: 330x130 cm
 Door/window type: Garden
 Door/window glass: Real glass, 4 mm
 Window opening measurements: 67x89 cm

Door opening measurements:
74x175 cm
 Door sill: **low, covered with
 stainless steel**
Roof boards: 19 mm
Roof area: 20,0 m²
Roof gradient: 17,6

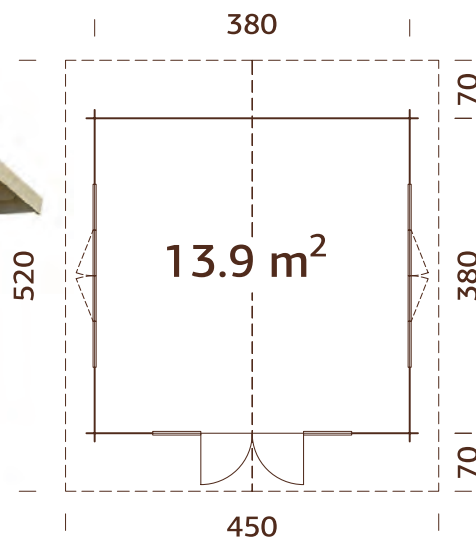
OPTIONAL

Roofing felt: 5 rolls, shingles:
 8 packs, roofing nails, rain
 gutters, extension, canopy
 roof, window boxes, additional
 window. Can also be ordered
 with a clear white or brown
 dip treatment.

SUMMER
HOUSE

GYM

Vermont 13.9 m²



Includes polycarbonate sheets.



34 mm



268 cm



Included 19 mm

MODEL SPECIFICATIONS

Log measurements: 400x400 cm
Wall height: 205 cm
Volume: 32,9 m³
Door/window type: Garden
Door/window glass: Real glass, 4 mm

Window opening measurements:
90x134 cm
Door opening measurements: 114x187 cm
Door sill: low, covered with stainless steel
Roof boards: 16 mm
Roof area: 24,4 m² Roof gradient: 18,6°

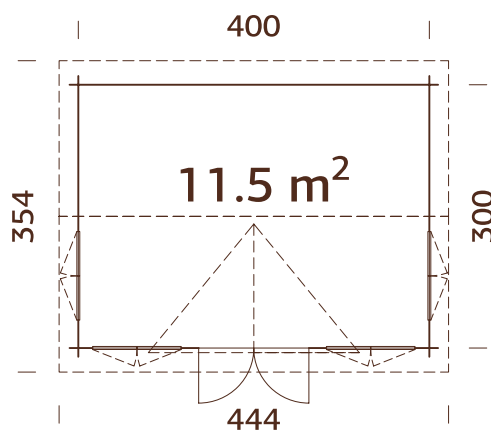
OPTIONAL

Roofing felt: 4 rolls, shingles:
7 packs, roofing nails, rain gutters, extension, canopy roof.
Can also be ordered with a clear white or brown dip treatment.

GARDEN
OFFICE

GYM

Portland 11.5 m²



34 mm



347 cm



Included 19 mm

MODEL SPECIFICATIONS

Log measurements: 420x320 cm
Wall height: 234 cm
Volume: 32,9 m³
Door/window type: Garden
Door/window glass: Real glass, 4 mm
Window opening measurements:
90x124 cm

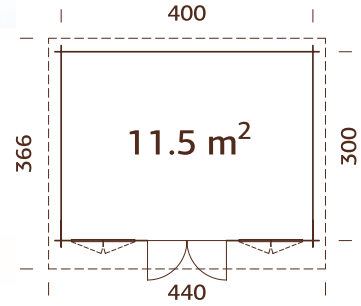
Door opening measurements: 114x187 cm
Door sill: low, covered with stainless steel
Roof boards: 19 mm
Roof area: 21,0 m² Roof gradient: 35,2°

OPTIONAL

Roofing felt: 3 rolls, shingles:
9 packs, roofing nails, rain gutters, extension, canopy roof.
Can also be ordered with a clear white or brown dip treatment.

- GARDEN OFFICE
- UNDER PLANNING
- GYM

Cleveland 11.5 m²



Includes door and window bars.

- 34 mm
- 234 cm
- xxxxxx mm

MODEL SPECIFICATIONS

Log measurements: 420x320 cm
 Wall height: 211 cm
 Volume: 25,6m³
 Door/window type: Garden
 Door/window glass: Real glass, 4 mm
 Window opening measurements: 90x124 cm

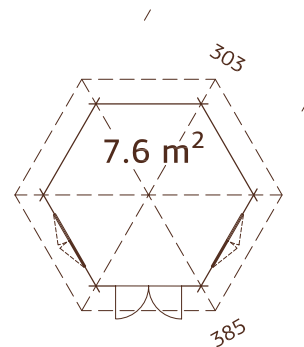
Window opening measurements: 90x124 cm
 Door opening measurements: 114x187 cm
 Door sill: low, covered with stainless steel
 Roof boards: 19 mm
 Roof gradient: 4,4°
 Roof area: 16,1 m²

OPTIONAL

Roofing felt: 3 rolls, roofing nails, EPDM, rain gutters, extension, canopy roof. Can also be ordered with a clear white or brown dip treatment.

- SUMMER HOUSE
- GARDEN OFFICE
- GYM

Louisiana 7.6 m²



Ready-made roof elements!

- 34 mm
- 336 cm
- Included 19 mm

MODEL SPECIFICATIONS

Diameter: 303 cm
 Wall height: 227 cm Volume: 19,6 m³
 Door/window type: Garden
 Door/window glass: Real glass, 4 mm
 Window opening measurements: 90x124 cm

Door opening measurements: 114x180 cm
 Door sill: low, covered with stainless steel
 Roof boards: 16 mm
 Roof area: 14,8 m²
 Roof gradient: 32,0°

OPTIONAL

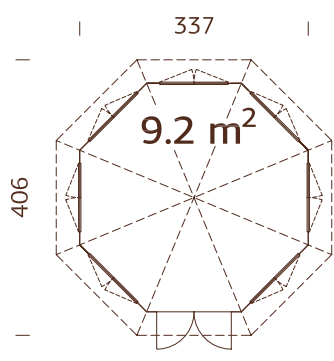
Shingles: 8 packs, roofing nails, window boxes, additional door and window. Can also be ordered with a clear white or brown dip treatment.

SUMMER HOUSE

GARDEN OFFICE

GYM

Florida 9.2 m²



Ready-made wall and roof elements!



34 mm



326 cm



Included 19 mm

MODEL SPECIFICATIONS

Diameter: 337 cm
Wall height: 222 cm Volume: 23,4 m³
Door/window type: Garden
Door/window glass: Real glass, 4 mm
Window opening measurements: 90x124 cm

Door opening measurements: 114x181 cm
Door sill: wooden
Roof boards: 16 mm
Roof area: 15,3 m²
Roof gradient: 32,0°

OPTIONAL

Shingles: 9 packs, roofing nails, window boxes.

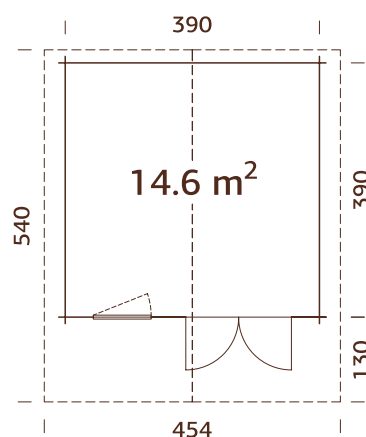


A woman with long blonde hair, wearing a red top, is shown in profile on the left side of the frame. She is looking towards a young girl on the right. The girl has light brown hair in two braids and is wearing a bright pink short-sleeved shirt. She is smiling and looking back at the woman. They are sitting on a balcony with a wooden railing. In the background, there are green plants and a blurred outdoor setting. A small plate with green leafy vegetables is visible in the bottom right corner.

40mm

These buildings are perfect for Workshops, Garden Rooms, Garden Office, Garden Studio, or just as a space that creates somewhere quiet, comfortable and productive.

Los Angeles 14.6 m²



40 mm



257 cm



NB! Floor is an optional extra!
19 mm

MODEL SPECIFICATIONS

Log measurements: 410x410 cm
Wall height: 205 cm
Volume: 33,7 m³
Door/window type: Garden
Door/window glass: Real glass, 4 mm
Window opening measurements: 78x89 cm

Door opening measurements: 151x187 cm
Door sill: low, covered with stainless steel
Roof boards: 19 mm
Roof area: 25,2 m² Roof gradient: 15,0°

OPTIONAL

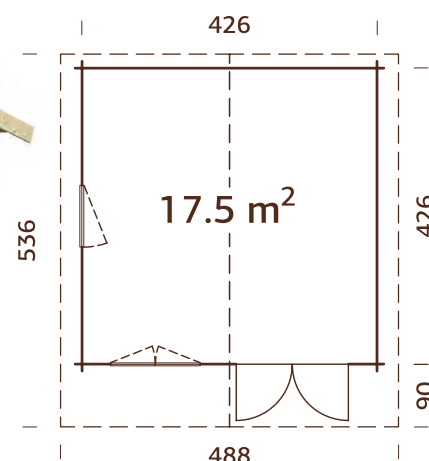
Floor, roofing felt: 7 rolls, shingles: 10 packs, roofing nails, rain gutters, extension, canopy roof, window shutters, window boxes. Can also be ordered with a clear white or brown dip treatment.

GARDEN
OFFICE

UNDER
PLANNING

GYM

Illinois 17.5 m²



40 mm



270 cm



NB! Floor is an optional extra!
19 mm

MODEL SPECIFICATIONS

Log measurements: 446x446 cm
Wall height: 205 cm
Volume: 41,2 m³
Door/window type: Garden
Door/window glass: Real glass, 4 mm
Window opening measurements: 78x89, 119x89 cm

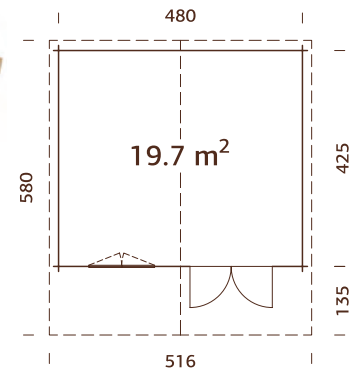
Door opening measurements: 151x187 cm
Door sill: low, covered with stainless steel
Roof boards: 19 mm
Roof area: 27,2 m² Roof gradient: 16,7°




OPTIONAL

Floor, roofing felt: 7 rolls, shingles: 10 packs, roofing nails, rain gutters, extension, canopy roof, window shutters, window boxes, additional window. Can also be ordered with a clear white or brown dip treatment.

GARDEN OFFICE GYM

Chicago 19.7 m²



-  40 mm
-  270 cm
-  NB! Floor is an optional extra! 19 mm

MODEL SPECIFICATIONS

Log measurements: 500x445 cm
 Wall height: 205 cm
 Volume: 46,6 m³
 Door/window type: Garden
 Door/window glass: Real glass, 4 mm
 Window opening measurements: 119x89 cm

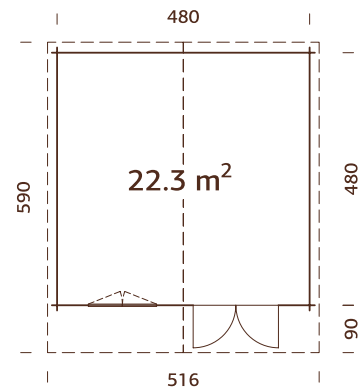
Window opening measurements: 119x89 cm
 Door opening measurements: 151x187 cm
 Door sill: low, covered with stainless steel
 Roof boards: 19 mm
 Roof area: 30,7 m²
 Roof gradient: 14,9°

OPTIONAL

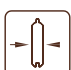
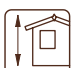

Floor, roofing felt: 7 rolls, shingles: 12 packs, roofing nails, rain gutters, extension, canopy roof, window shutters, window boxes, additional window. Can also be ordered with a clear white or brown dip treatment.

GARDEN OFFICE GYM

San Francisco 22.3 m²



Strong purlins from laminated wood.

-  40 mm
-  270 cm
-  NB! Floor is an optional extra! 19 mm

MODEL SPECIFICATIONS

Log measurements: 500x500 cm
 Wall height: 205 cm
 Volume: 52,7 m³
 Door/window type: Garden
 Door/window glass: Real glass, 4 mm
 Window opening measurements: 119x89 cm

Door opening measurements: 151x187 cm
 Door sill: low, covered with stainless steel
 Roof boards: 19 mm
 Roof area: 29,2 m²
 Roof gradient: 14,9°

OPTIONAL

Floor, roofing felt: 7 rolls, shingles: 12 packs, roofing nails, rain gutters, extension, canopy roof, window shutters, window boxes, additional window. Can also be ordered with a clear white or brown dip treatment.

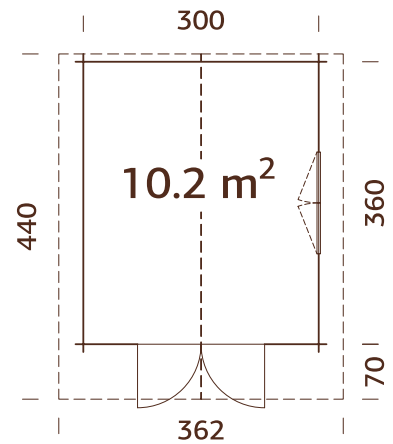


44mm

44mm timber walls can provide warmth in spring, summer and autumn. Garden rooms, summer houses, workshops and pavilions with 44mm walls are a versatile investment because they are warm enough to use for much of the year. We especially recommend 44mm log thickness if you are using your cabin as a hot tub enclosure.

UNDER PLANNING **STORAGE**

Tulsa 10.2 m²



POSSIBLE TO BUILD UNDER 2,5 M.



44 mm



263 cm



Included 19 mm

MODEL SPECIFICATIONS

Log measurements: 320x380 cm
 Wall height: 205 cm
 Volume: 23,5 m³
 Door/window type: Summer
 Door/window glass: Double glass, 3-9-3 mm
 Window opening measurements: 117x85 cm

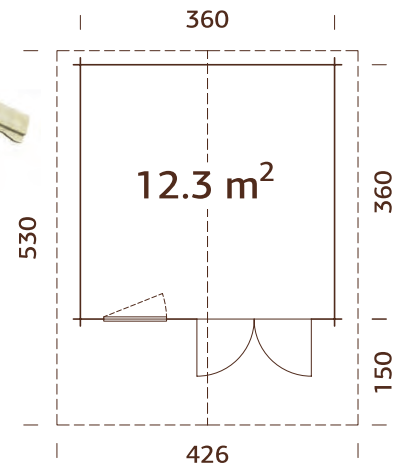
Door opening measurements: 151x187 cm
 Door sill: low, covered with stainless steel
 Roof boards: 19 mm
 Roof area: 16,7 m²
 Roof gradient: 19,2°

OPTIONAL

Roofing felt: 3 rolls, shingles: 7 packs, roofing nails, rain gutters, extension, canopy roof, window shutters, window boxes, additional door and window.
 Can also be ordered with a clear white or brown dip treatment.

GARDEN OFFICE **GYM**

Louisville 12.3 m²



44 mm



256 cm



Included 19 mm

MODEL SPECIFICATIONS

Log measurements: 380x380 cm
 Wall height: 205 cm
 Volume: 28,5 m³
 Door/window type: Summer
 Door/window glass: Double glass, 3-9-3 mm
 Window opening measurements: 77x85 cm

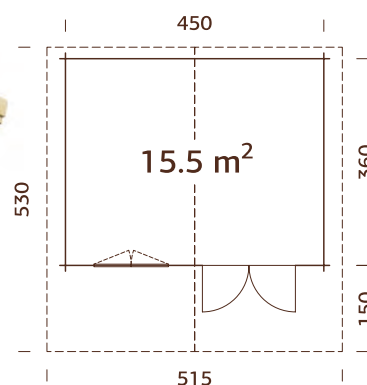
Door opening measurements: 151x187 cm
 Door sill: low, covered with stainless steel
 Roof boards: 19 mm
 Roof area: 23,3 m²
 Roof gradient: 16,1°

OPTIONAL

Roofing felt: 6 rolls, shingles: 9 packs, roofing nails, rain gutters, terrace, extension, canopy roof, window shutters, window boxes, additional door and window.
 Can also be ordered with a clear white or brown dip treatment.

GARDEN
OFFICE

GYM

Miami 15.5 m²

XXXX



44 mm



268 cm



Included 19 mm

MODEL SPECIFICATIONS

Log measurements: 470x380 cm
 Wall height: 205 cm
 Volume: 36,6 m³
 Door/window type: Summer
 Door/window glass: Double
 glass, 3-9-3mm Window opening
 measurements: 117x85 cm

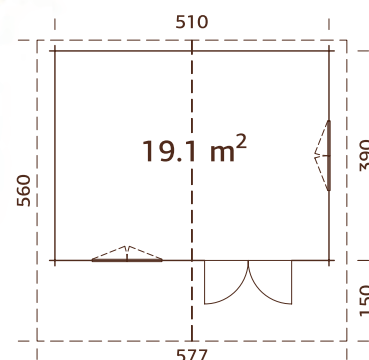
Door opening measurements: 151x187 cm
Door sill: low, covered with stainless steel
Roof boards: 19 mm
Roof area: 28,1 m²
Roof gradient: 15,9°

OPTIONAL

Roofing felt: 7 rolls, shingles:
 11 packs, roofing nails, rain
 gutters, terrace, extension,
 canopy roof, window shutters,
 window boxes, additional
 door and window.
 Can also be ordered with
 a clear white or brown dip
 treatment.

GARDEN
OFFICE

GYM

Brooklyn 19.1 m²

44 mm



267 cm



Included 19 mm

MODEL SPECIFICATIONS

Log measurements: 530x410 cm
 Wall height: 205 cm
 Volume: 44,9 m³
 Door/window type: Summer
 Door/window glass: Double glass,
 3-9-3 mm
 Window opening measurements:
 117x85 cm

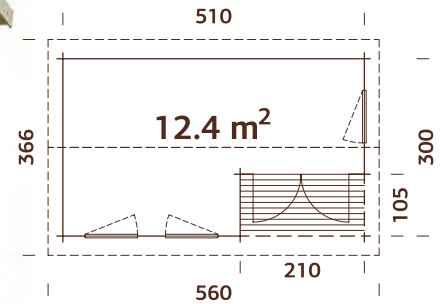
Door opening measurements: 151x187 cm
Door sill: low, covered with stainless steel
Roof boards: 19 mm
Roof area: 35,3 m²
Roof gradient: 14,0°

OPTIONAL

Roofing felt: 8 rolls, shingles:
 13 packs, roofing nails, rain
 gutters, terrace, extension,
 canopy roof, window shutters,
 window boxes, additional
 door and window.
 Can also be ordered with
 a clear white or brown dip
 treatment.

GARDEN OFFICE

Oregon 12.4 m²



Can be built in reverse!
Terrace boards are treated.



44 mm



257 cm



Included 19 mm

MODEL SPECIFICATIONS

Log measurements: 530x320 cm
Wall height: 205 cm
Volume: 28,6 m³
Terrace: 210x105 cm
Door/window type: Summer
Door/window glass: Double glass, 3-9-3 mm

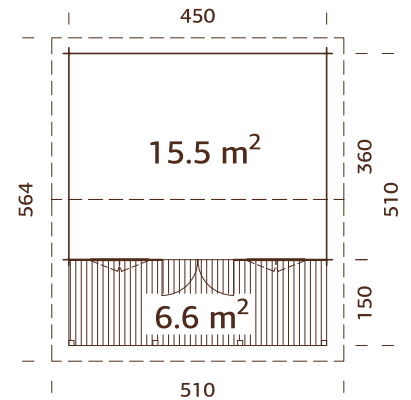
Window opening measurements: 77x85 cm
Door opening measurements: 151x187 cm
Door sill: low, covered with stainless steel
Roof boards: 19 mm
Roof area: 21,4 m²
Roof gradient: 18,4°

OPTIONAL

Roofing felt: 5 rolls, shingles 9 packs, roofing nails, rain gutters, window shutters, window boxes, additional door and window. Can also be ordered with a clear white or brown dip treatment.

GARDEN OFFICE

Long Beach 15.5 + 6.6 m²



Strong purlins from laminated wood. Terrace boards are treated



44 mm



335 cm



Included 19 mm

MODEL SPECIFICATIONS

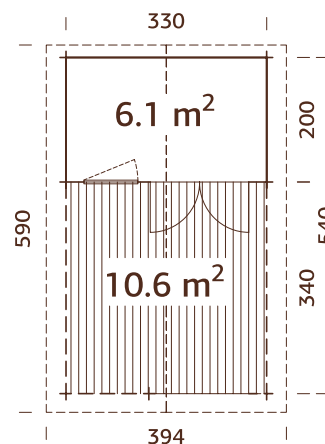
Log measurements: 470x380(530) cm
Wall height: 239 cm Volume: 62,4 m³
Terrace: 510x150 cm
Door/window type: Garden+
Door/window glass: Double glass, 3-6-3 mm
Window opening measurements: 90x124 cm

Door opening measurements: 114x187 cm
Door sill: low, covered with stainless steel
Roof boards: 19 mm
Roof area: 30,2 m²
Roof gradient: 18,8°

OPTIONAL

Roofing felt: 7 rolls, shingles: 12 packs, roofing nails, rain gutters, extension, canopy roof, window boxes, additional door and window. Can also be ordered with a clear white or brown dip treatment.

Georgia 6.1 + 10.6 m²



Terrace boards are treated.



44 mm



268 cm



Included 19 mm

MODEL SPECIFICATIONS

Log measurements: 350x220(560) cm
 Wall height: 217 cm Volume: 14,8+26,1 m³
 Terrace: 330x340 cm
 Door/window type: Summer
 Door/window glass: Double glass, 3-9-3 mm
 Window opening measurements: 77x85 cm

Door opening measurements: 151x187 cm
 Door sill: low, covered with stainless steel
 Roof boards: 19 mm
 Roof area: 24,2 m²
 Roof gradient: 17,7

OPTIONAL

Roofing felt: 5 rolls, shingles: 10 packs, roofing nails, rain gutters, window boxes, additional door and window. Can also be ordered with a clear white or brown dip treatment.

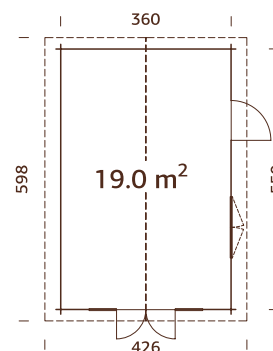
SUMMER HOUSE

GARDEN OFFICE

GYM



North Dakota 19.0 m²



Option: internal wall.
 See Optional Products.
 Strong purlins from laminated wood.



44 mm



276 cm



Included 19 mm

MODEL SPECIFICATIONS

Log measurements: 380x570 cm
 Wall height: 217 cm Volume: 45,9 m³
 Door/window type: Garden+
 Door/window glass: Double glass, 3-6-3 mm
 Window opening measurements: 119x89 cm

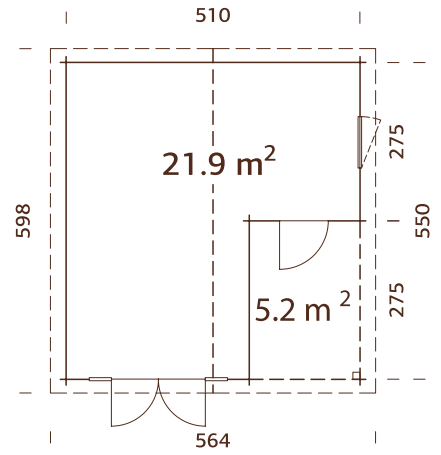
Door opening measurements: 74x175, 114x187 cm
 Door sill: low, covered with stainless steel
 Roof boards: 19 mm
 Roof area: 26,3 m²
 Roof gradient: 16,3

OPTIONAL

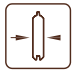


Roofing felt: 6 rolls, shingles: 10 packs, roofing nails, rain gutters, terrace, extension, canopy roof, window boxes, internal wall, additional door. Can also be ordered with a clear white or brown dip treatment.

GARDEN OFFICE **GYM**

Phoenix 21.9 + 5.2 m²



Can be built in reverse!
Strong purlins from laminated wood.

-  44 mm
-  314 cm
-  Included 19 mm

MODEL SPECIFICATIONS

Log measurements: 530x570 cm
Wall height: 228 cm
Volume: 60,0 m³
Door/window type: Garden+
Door/window glass: Double glass, 3-6-3 mm
Window opening measurements: 78x89 cm

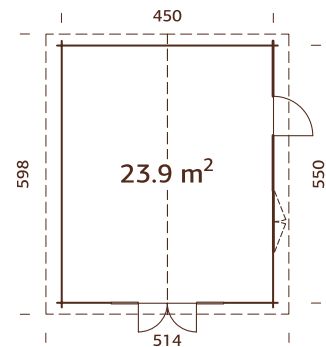
Door opening measurements: 74x175, 114x187 cm
Door sill: low, covered with stainless steel
Roof boards: 19 mm
Roof area: 35,4 m²
Roof gradient: 18,7°

OPTIONAL




Roofing felt: 7 rolls, shingles: 14 packs, roofing nails, rain gutters, extension, canopy roof, window boxes, additional door. Can also be ordered with a clear white or brown dip treatment.

GARDEN OFFICE **GYM**

Madison County 23.9 m²



Option: internal wall.
See Optional Products.
Strong purlins from laminated wood.

-  44 mm
-  287 cm
-  Included 19 mm

MODEL SPECIFICATIONS

Log measurements: 470x570 cm
Wall height: 217 cm
Volume: 59,0 m³
Door/window type: Garden+
Door/window glass: Double glass, 3-6-3 mm
Window opening measurements: 119x89 cm

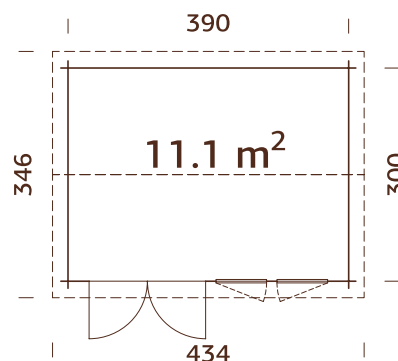
Door opening measurements: 74x175, 114x187 cm
Door sill: low, covered with stainless steel
Roof boards: 19 mm
Roof area: 31,7 m²
Roof gradient: 15,9°

OPTIONAL

Roofing felt: 7 rolls, shingles: 12 packs, roofing nails, rain gutters, terrace, extension, canopy roof, window boxes, internal wall, additional door. Can also be ordered with a clear white or brown dip treatment.

GARDEN
OFFICEUNDER
PLANNING

GYM

Hawaii 11.1 m²

Includes door and window bars.



44 mm



245 cm



Included 19 mm

MODEL SPECIFICATIONS

Log measurements:

410x320 cm

Wall height: 211 cm

Volume: 25,3 m³ Door/window type:

Garden+ Door/window glass:

Double glass, 3-6-3 mm

Window opening measurements:

60x111 cm

Door opening measurements: 151x175 cm

Door sill: low, covered with stainless steel

Roof boards: 19 mm

Roof area: 15,1 m²

Roof gradient: 13,2°

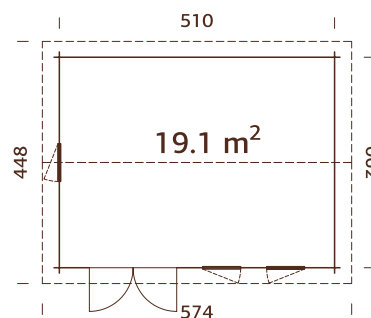
OPTIONAL

Roofing felt: 3 rolls, roofing nails, rain gutters, terrace, extension, canopy roof, additional door and window.

Can also be ordered with a clear white or brown dip treatment.

GARDEN
OFFICE

GYM

Jefferson 19.1 m²

Includes door and window bars. Strong purlins from laminated wood.



44 mm



262 cm



Included 19 mm

MODEL SPECIFICATIONS

Log measurements: 530x410 cm Wall height: 211 cm

Volume: 45,2 m³

Door/window type: Garden+

Door/window glass: Double glass, 3-6-3

Window opening measurements:

60x111 cm

Door opening measurements: 151x175 cm

Door sill: low, covered with stainless steel

Roof boards: 19 mm

Roof area: 26,2 m²

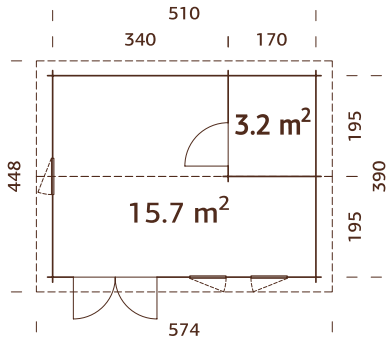
Roof gradient: 15,1°

OPTIONAL

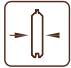


Roofing felt: 6 rolls, shingles: 11 packs, roofing nails, rain gutters, terrace, extension, canopy roof, window boxes, additional door and window. Can also be ordered with a clear white or brown dip treatment.

GARDEN OFFICE
GYM

Jefferson 1 19.1 m²



Includes door and window bars. Strong purlins from laminated wood.

-  44 mm
-  262 cm
-  Included 19 mm

MODEL SPECIFICATIONS

Log measurements: 530x410 cm Wall height: 211 cm
 Volume: 45,2 m³
 Door/window type: Garden+
 Door/window glass: Double glass, 3-6-3 mm
 Window opening measurements: 60x111 cm

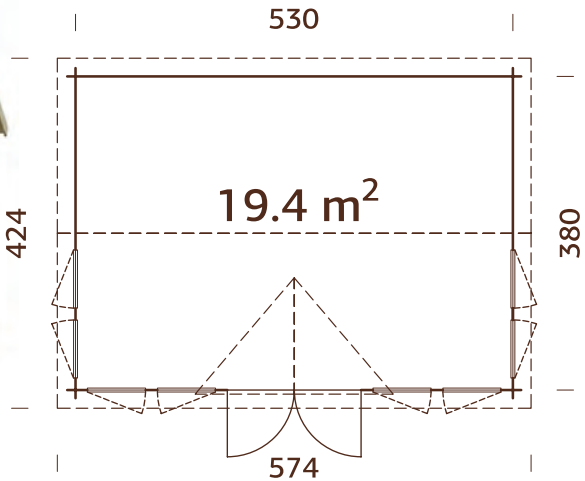
Door opening measurements: 151x175 cm
 Door sill: low, covered with stainless steel
 Roof boards: 19 mm
 Roof area: 26,2 m²
 Roof gradient: 15,1°




OPTIONAL

Roofing felt: 6 rolls, shingles: 11 packs, roofing nails, rain gutters, terrace, extension, canopy roof, window boxes, additional door and window. Can also be ordered with a clear white or brown dip treatment.

GARDEN OFFICE
GYM

California 19.4 m²



-  44 mm
-  353 cm
-  Included 19 mm

MODEL SPECIFICATIONS

Log measurements: 550x400 cm Wall height: 222 cm
 Volume: 55,6 m³
 Door/window type: Garden+
 Door/window glass: Double glass, 3-6-3 mm
 Window opening measurements: 60x111 cm

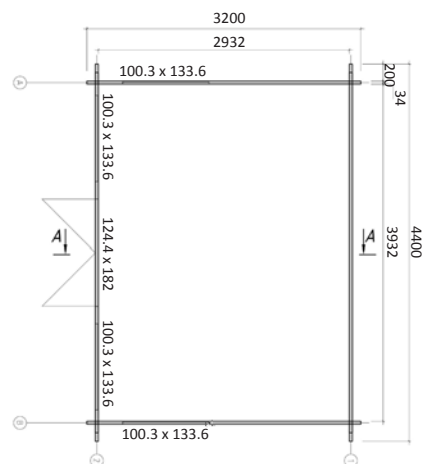
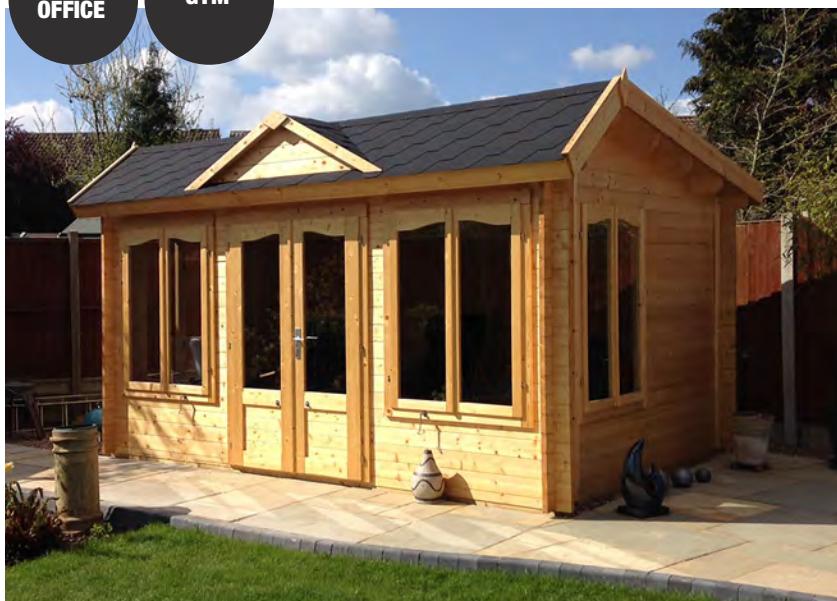
Door opening measurements: 151x175 cm
 Door sill: low, covered with stainless steel
 Roof boards: 19 mm
 Roof area: 29,6 m²
 Roof gradient: 35,2°

OPTIONAL

Roofing felt: 6 rolls, shingles: 12 packs, roofing nails, rain gutters, extension, canopy roof, additional door and window. Can also be ordered with a clear white or brown dip treatment.

GARDEN
OFFICE

GYM

Brookhaven 11.2 m²

44 mm



250 mm



Included 19 mm

MODEL SPECIFICATIONS

Log measurements: 420x320 cm
 Wall height: 210 cm
 Volume: 28,7 m³
 Door/window type: Summer
 Door/window glass: Real glass
 Window opening measurements:
 90x124 cm

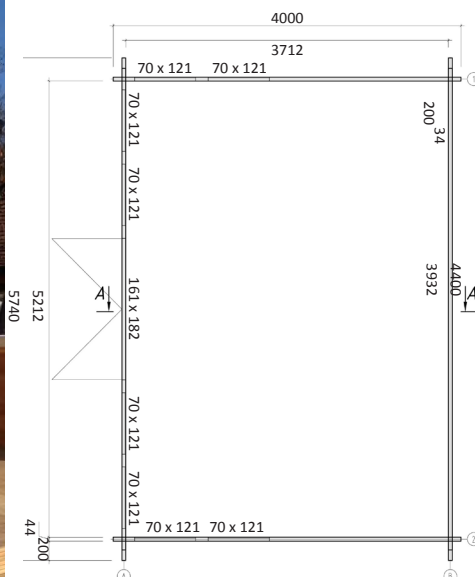
Door opening measurements: 114x187 cm
 Door sill: wooden
 Roof boards: 19 mm
 Roof area: 221,0 m²
 Roof gradient: 35,2°

OPTIONAL

Roofing felt: 6 rolls, shingles:
 11 packs, roofing nails, rain
 gutters, terrace, extension,
 canopy roof, window boxes,
 additional door and window.
 Can also be ordered with
 a clear white or brown dip
 treatment.

GARDEN
OFFICE

GYM

Hamptons 19.3 m²

44 mm



245 mm



Included 19 mm

MODEL SPECIFICATIONS

Log measurements: 550x400 cm
 Wall height: 210 cm
 Volume: 19,4 m³
 Door/window type: Garden
 Door/window glass: Real glass
 Window opening measurements:
 60x111 cm

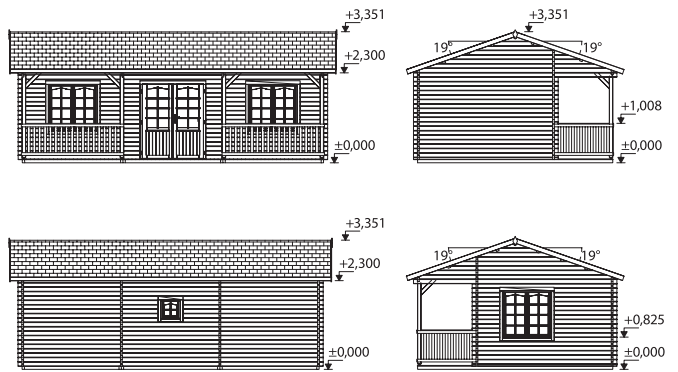
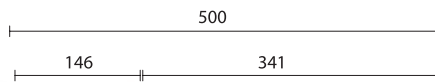
Door opening measurements: 151x175 cm
 Door sill: wooden
 Roof boards: 19 mm
 Roof area: 29,6 m²
 Roof gradient: 35,2°

OPTIONAL

Roofing felt: 6 rolls, shingles:
 12 packs, roofing nails, rain
 gutters, extension, canopy
 roof, additional door and
 window.
 Can also be ordered with
 a clear white or brown dip
 treatment.

LIVING STORAGE

Alaska 25.6 + 11.1 m²



Terrace boards are treated.



44 mm



335 cm



Included 19 mm

MODEL SPECIFICATIONS

Log measurements: 391x370(520) cm
 Wall height: 239 cm
 Volume: 106,2 m³
 Terrace: 771x146 cm
 Door/window type: Summer
 Door/window glass: Double glass, 3-9-3 mm
 Window opening measurements: 40x37, 115x110 cm

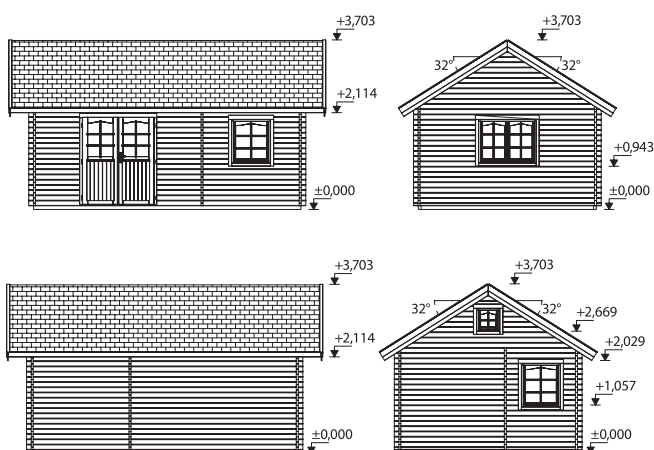
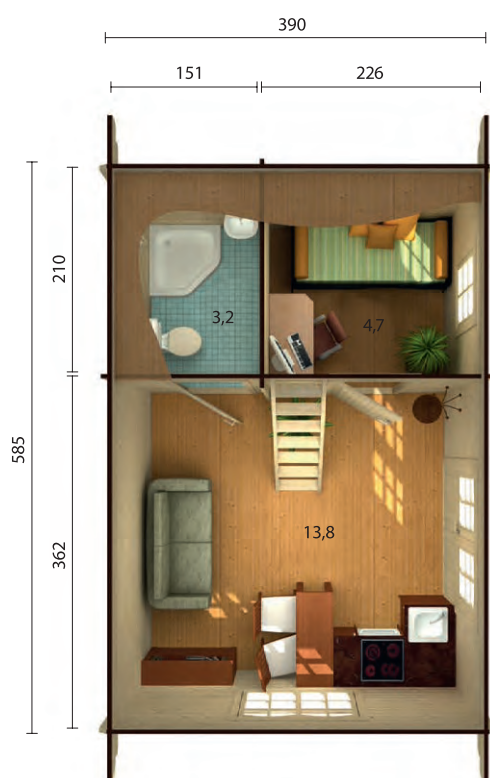
Door opening measurements: 60x186, 74x186, 151x187 cm
 Door sill: low, covered with stainless steel
 Roof boards: 19 mm
 Roof area: 48,5 m²
 Roof gradient: 19,2°

OPTIONAL

Roofing felt: 9 rolls, shingles: 18 packs, roofing nails, window boxes.
 Can also be ordered with a clear white or brown dip treatment.

LIVING

STORAGE

Orlando 19.2 + 9.7 m²

44 mm



370 cm



Included 19 mm

MODEL SPECIFICATIONS

Log measurements: 605x410 cm
 Wall height: 239 cm
 Volume: 65,6 m³
 Door/window type: Summer
 Door/window glass: Double glass,
 3-9-3 mm
 Window opening measurements:
 42x40, 76x85, 117x85 cm

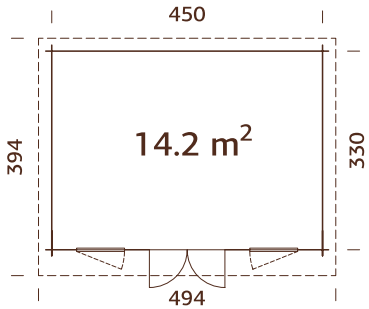
Door opening measurements:
 70x184, 151x187 cm
 Door sill:
 low, covered with stainless steel
 Roof boards: 19 mm
 Roof area: 37,7 m²
 Roof gradient: 32,1°

OPTIONAL

Roofing felt: 8 rolls, shingles:
 15 packs, roofing nails, win-
 dow shutters, window boxes,
 additional door and window.
 Can also be ordered with
 a clear white or brown dip
 treatment.

- GARDEN OFFICE
- UNDER PLANNING
- GYM

Tucson 14.2 m²



Includes door and window bars.

- 44 mm
- 239 cm
- Included 19 mm

MODEL SPECIFICATIONS

Log measurements: 470x350cm
 Wall height: 211 cm
 Volume: 31,6 m³
 Door/window type: Garden+
 Door/window glass: Double glass, 3-6-3 mm
 Roof boards: 19 mm
 Window opening measurements: 60x111 cm

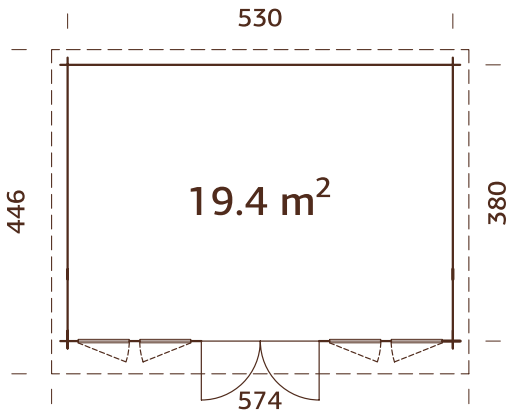
Door opening measurements: 151x175 cm
 Door sill: low, covered with stainless steel
 Roof boards: 19 mm
 Roof area: 19,2 m²
 Roof gradient: 4,0°

OPTIONAL

Roofing felt: 3 rolls, roofing nails, EPDM, rain gutters, terrace, extension, canopy roof, additional door and window. Can also be ordered with a clear white or brown dip treatment.

- GARDEN OFFICE
- GYM

Seattle 19.4 m²



Includes door and window bars.

- 44 mm
- 234 cm
- Included 19 mm

MODEL SPECIFICATIONS

Log measurements: 550x400 cm
 Wall height: 200 cm
 Volume: 41,9 m³
 Door/window type: Garden+
 Door/window glass: Double glass, 3-6-3 mm
 Window opening measurements: 60x111 cm

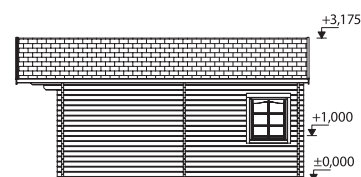
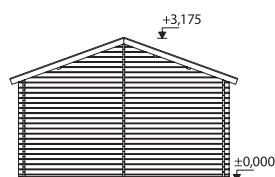
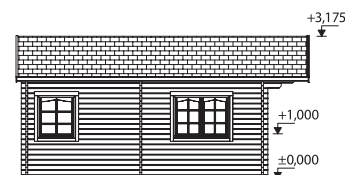
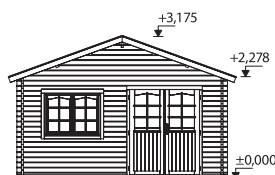
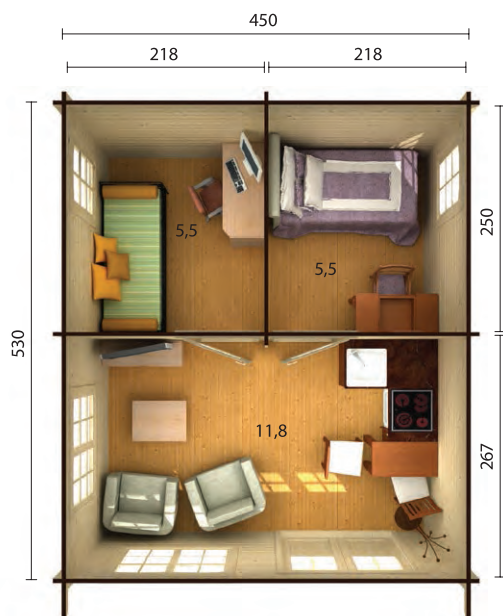
Door opening measurements: 151x175 cm
 Door sill: low, covered with stainless steel
 Roof boards: 19 mm
 Roof area: 25,4 m²
 Roof gradient: 5,2°

OPTIONAL

Roofing felt: 6 rolls, roofing nails, EPDM, rain gutters, extension, canopy roof, additional door and window. Can also be ordered with a clear white or brown dip treatment.

LIVING

STORAGE

Michigan 22.8 m²

44 mm



318 cm



Included 19 mm

MODEL SPECIFICATIONS

Log measurements: 470x550 cm
 Wall height: 228 cm
 Volume: 61,6 m³
 Door/window type: Summer
 Door/window glass: Double glass,
 3-9-3 mm
 Window opening measurements:
 76x85, 117x85 cm

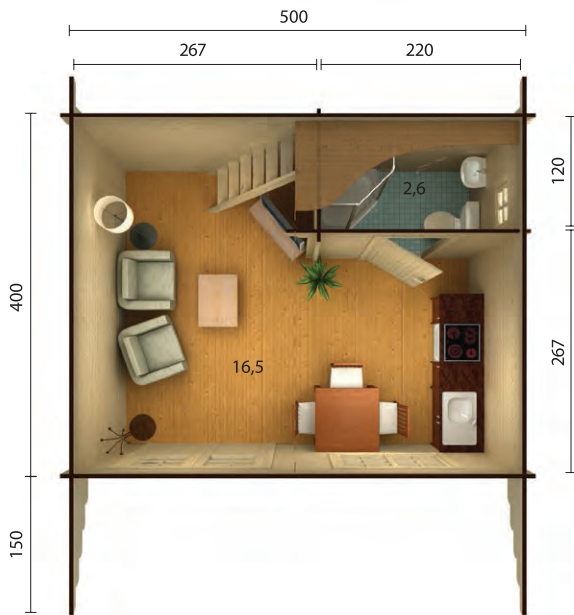
Door opening measurements: 73x186,
 151x187 cm
 Door sill: low, covered with stainless steel
 Roof boards: 19 mm
 Roof area: 34,5 m²
 Roof gradient: 19,9°

OPTIONAL

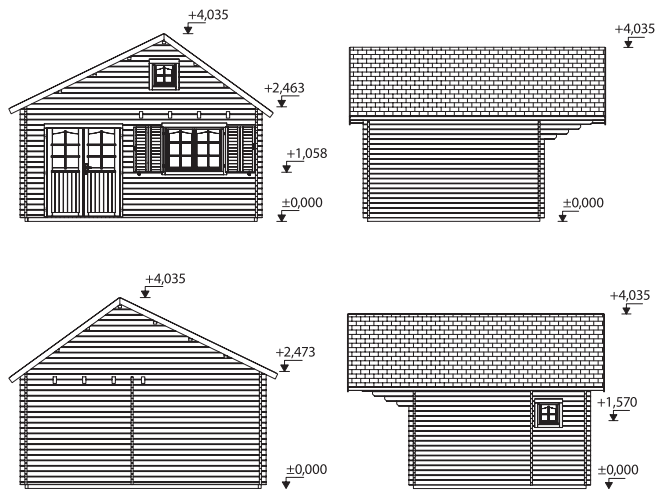
Roofing felt: 7 rolls, shingles:
 13 packs, roofing nails, win-
 dow shutters, window boxes,
 additional door and window.
 Can also be ordered with
 a clear white or brown dip
 treatment.

LIVING STORAGE

Omaha 19.2 + 9.7 m²



Strong purlins from laminated wood. NB! Shutters included!



44 mm
404 cm
Included 19 & 28 mm

MODEL SPECIFICATIONS

Log measurements: 520x420 cm
Wall height: 251 cm
Volume: 61,8 m³
Door/window type: Summer
Door/window glass: Double glass, 3-9-3 mm
Window opening measurements: 42x40, 117x85 cm

Door opening measurements: 151x187, 70x184 cm
Door sill: low, covered with stainless steel
Roof boards: 19 mm
Roof area: 38,4 m²
Roof gradient: 25,8°; 36,0°

OPTIONAL

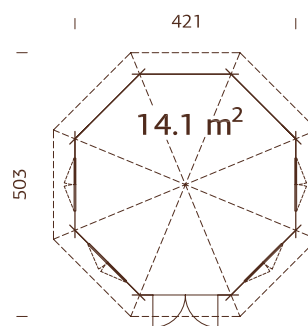
Roofing felt: 8 rolls, shingles: 15 packs, roofing nails, window boxes, additional door and window.
Can also be ordered with a clear white or brown dip treatment.

SUMMER HOUSE

GARDEN OFFICE

GYM

Oklahoma 14.1 m²



Ready-made roof elements!



44 mm



371 cm



Included 19 mm

MODEL SPECIFICATIONS

Diameter: 421 cm
 Wall height: 222 cm
 Volume: 38,3 m³ Door/window type: Garden+
 Door/window glass: Double glass, 3-6-3 mm
 Window opening measurements: 90x124 cm

Door opening measurements: 114x187 cm
 Door sill: low, covered with stainless steel
 Roof boards: 16 mm
 Roof area: 24,0 m²
 Roof gradient: 32,0°

OPTIONAL

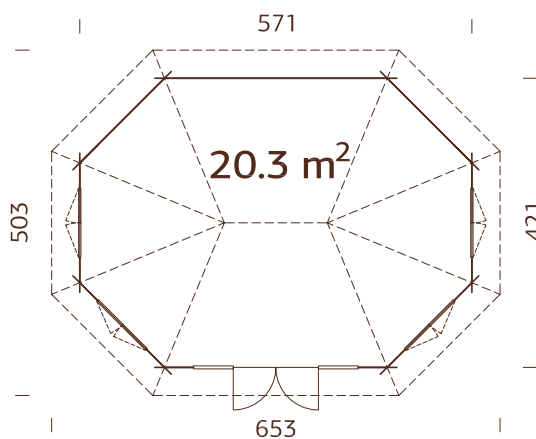
Shingles: 12 packs, roofing nails, window boxes, additional door and window. Can also be ordered with a clear white or brown dip treatment.

SUMMER HOUSE

GARDEN OFFICE

GYM

New York 20.3 m²



Ready-made roof elements!



44 mm



371 cm



Included 19 mm

MODEL SPECIFICATIONS

Diameter: 421/571 cm
 Wall height: 222 cm
 Volume: 53,5 m³ Door/window type: Garden+
 Door/window glass: Double glass, 3-6-3 mm
 Window opening measurements: 90x124 cm

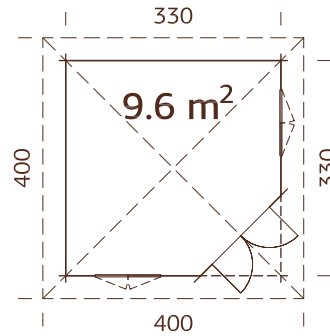
Door opening measurements: 114x187 cm
 Door sill: low, covered with stainless steel
 Roof boards: 16 mm
 Roof area: 32,6 m²
 Roof gradient: 32,0°

OPTIONAL

Shingles: 16 packs, roofing nails, window boxes, additional door and window. Can also be ordered with a clear white or brown dip treatment.

- SUMMER HOUSE
- GARDEN OFFICE
- GYM

Iowa 9.6 m²



44 mm



325 cm



Included 19 mm

MODEL SPECIFICATIONS

Log measurements: 350x350 cm
 Wall height: 233 cm
 Volume: 25,0 m³
 Door/window type: Garden+
 Door/window glass: Double glass, 3-6-3 mm
 Window opening measurements: 90x124 cm

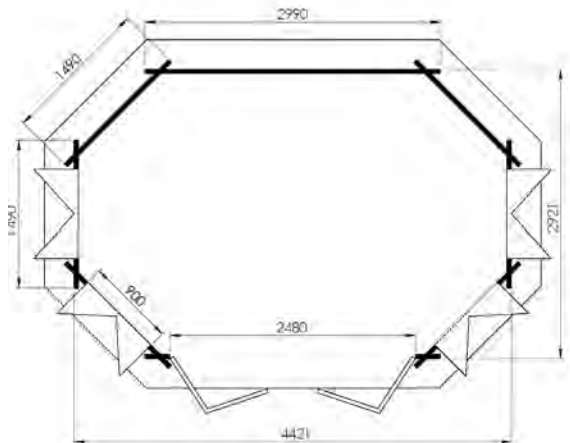
Door opening measurements: 114x187 cm
 Door sill: low, covered with stainless steel
 Roof boards: 19 mm
 Roof area: 17,0 m²
 Roof gradient: 24,5°

OPTIONAL

Shingles: 8 packs, roofing nails, window boxes, additional door and window. Can also be ordered with a clear white or brown dip treatment.

- SUMMER HOUSE
- GARDEN OFFICE
- GYM

Arizona 12.2 m²



44 mm



259 cm



Included 19 mm

MODEL SPECIFICATIONS

Log measurements: 450x300 cm
 Wall height: 206 cm
 Volume: 26,7 m³
 Door/window type: Garden
 Door/window glass: Real glass
 Window opening measurements: 89x183.8 cm

Door opening measurements: 247x190.3 cm
 Door sill: wooden
 Roof boards: 19 mm
 Roof area: 22,0 m²
 Roof gradient: 16°

OPTIONAL

Shingles: 8 packs, roofing nails, window boxes, additional door and window. Can also be ordered with a clear white or brown dip treatment.



70mm

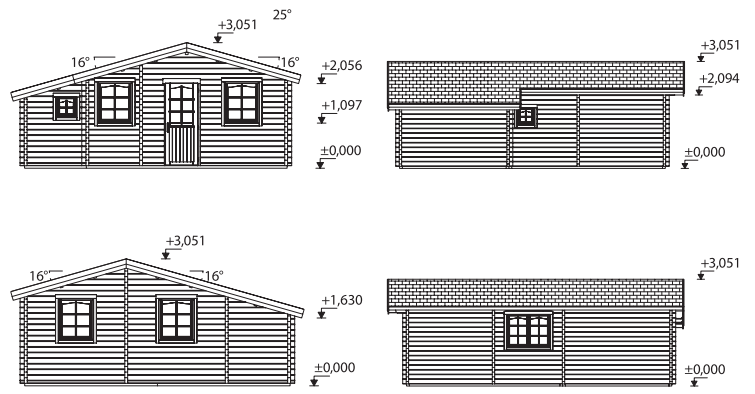
Create a more luxurious environment. Thicker logs provide better sound insulation, (including better protection from wind). Very versatile and ideal for uses such as a spare room, extra living space, or holiday retreat. Thicker logs mean you can use the space all year round.




LIVING STORAGE

Nevada 39.2 m²



Strong purlins from laminated wood.



-  70 mm
-  310 mm
-  Included 28 mm

MODEL SPECIFICATIONS

Log measurements: 660x780cm
 Wall height: 230 cm
 Volume: 102,2 m³
 Door/window type: Summer
 Door/window glass: Double glass, 3-9-3 mm
 Window opening measurements: 42x40, 76x90, 117x90 cm

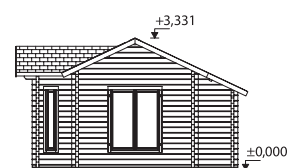
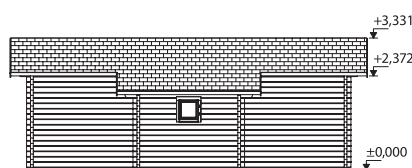
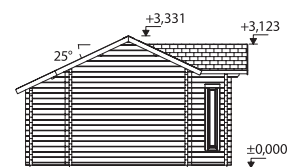
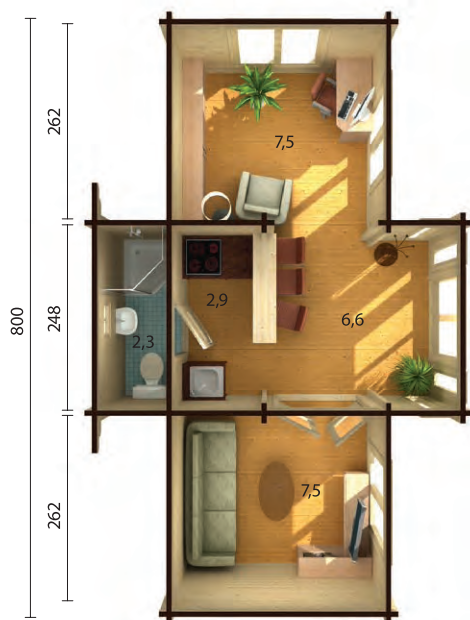
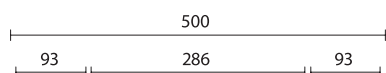
Door opening measurements: 74x195 cm
 Door sill: low, covered with stainless steel
 Roof boards: 19 mm
 Roof area: 53,9 m²
 Roof gradient: 15,8°

OPTIONAL

Roofing felt: 10 rolls, shingles: 21 packs, roofing nails, window shutters, window boxes, additional window. Can also be ordered with a clear white or brown dip treatment.

LIVING

STORAGE

Texas 26.8 m²

70 mm



330 cm



Included 28 mm

MODEL SPECIFICATIONS

Log measurements: 820x520 cm
 Wall height: 257 cm
 Volume: 81,9 m³
 Door/window type: Summer
 Door/window glass:
 Double toughened glass, 3-9-3 mm
 Window opening measurements:
 50x50, 125x153 cm

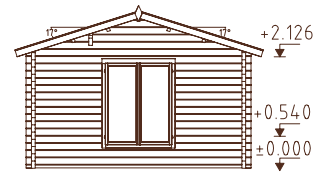
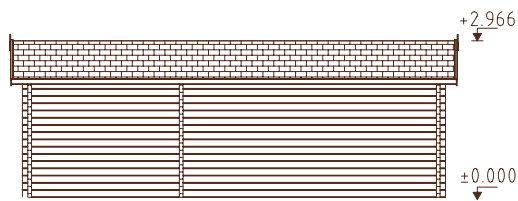
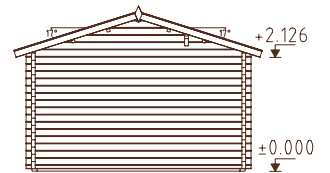
Fixed window, measurements: 26x153 cm
 Door opening measurements: 56x186,
 115x188 cm
 Door sill: low, covered with stainless steel
 Roof boards: 19 mm
 Roof area: 46,7 m² Roof gradient: 25,3°

OPTIONAL

Roofing felt: 7 rolls, shingles:
 18 packs, roofing nails.
 Can also be ordered with
 a clear white or brown dip
 treatment.

LIVING STORAGE

Texas 1 26.8 + 1.9 m²



Terrace boards are treated.



70 mm
297 cm
Included 28 mm

MODEL SPECIFICATIONS

Log measurements: 790x420 cm
Wall height: 229 cm
Volume: 75,6 m³
Terrace: 190x100 cm
Door/window type: Summer
Door/window glass:
Double toughened glass, 3-9-3 mm
Window opening measurements:
117x143 cm

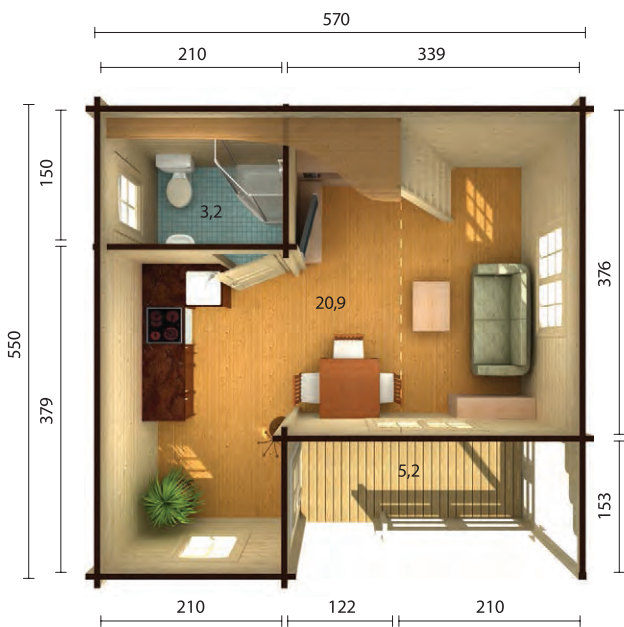
Door opening measurements: 74x189,
148x189 cm
Door sill: low, covered with stainless steel
Roof boards: 19 mm
Roof area: 39,7 m²
Roof gradient: 17,5°

OPTIONAL

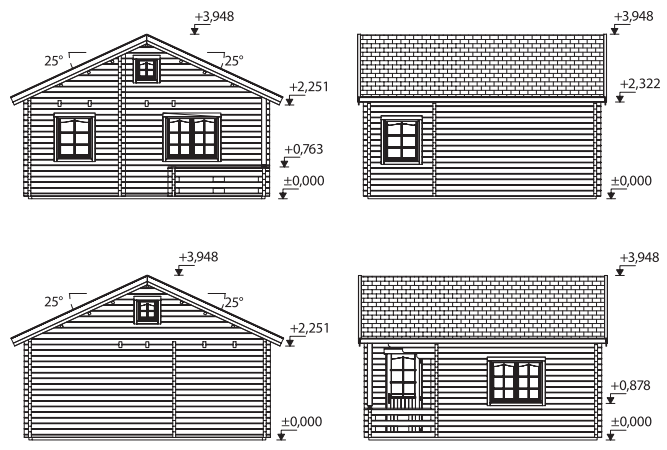
Roofing felt: 7 rolls, shingles:
16 packs, roofing nails.
Can also be ordered with
a clear white or brown dip
treatment.




LIVING STORAGE

Manhattan 40.1 + 5.2 m²



Strong purlins from laminated wood. Terrace boards are treated.



-  70 mm
-  395 cm
-  Included 28 mm

MODEL SPECIFICATIONS

Log measurements: 590x570 cm
 Wall height: 256 cm
 Volume: 79,8 m³
 Terrace: 339x153 cm
 Door/window type: Summer
 Door/window glass:
 Double glass, 3-9-3 mm
 Window opening measurements:
 42x40, 76x90, 117x90 cm

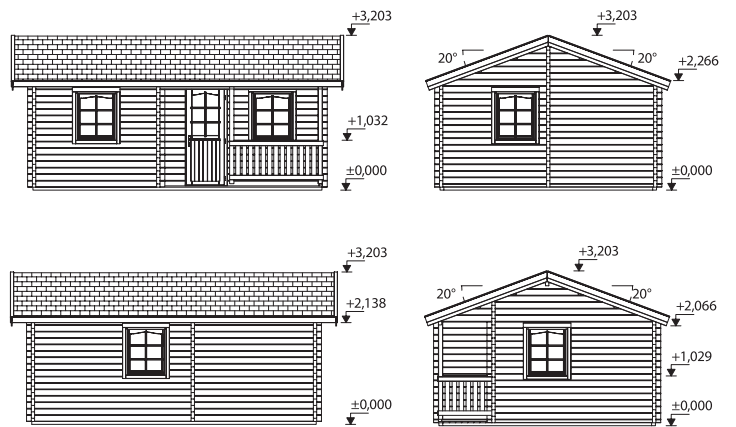
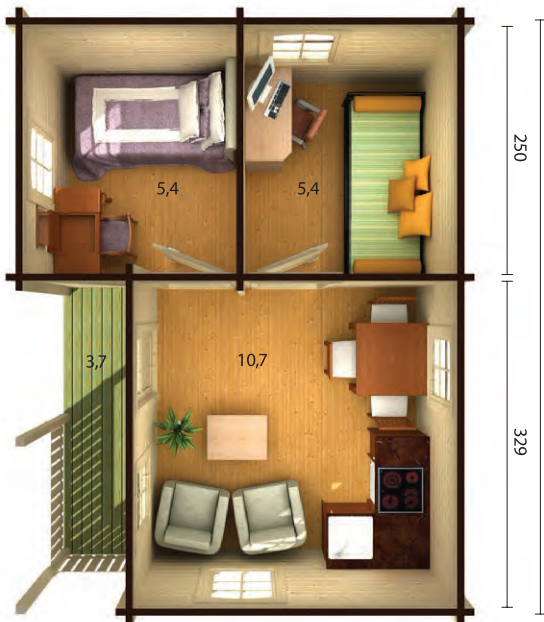
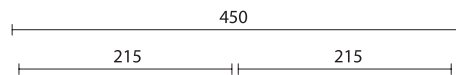
Door opening measurements: 74x195 cm
 Door sill: low, covered with stainless steel
 Roof boards: 19 mm
 Roof area: 41,9 m²
 Roof gradient: 24,8°

OPTIONAL

Roofing felt: 9 rolls, shingles: 16 packs, roofing nails, window shutters, window boxes, additional window. Can also be ordered with a clear white or brown dip treatment.

LIVING STORAGE

Wyoming 21.5 + 3.7 m²



Strong purlins from laminated wood. Terrace boards are treated.



70 mm
320 cm
Included 28 mm

MODEL SPECIFICATIONS

Log measurements: 620x470 cm
Wall height: 230 cm
Volume: 59,7 m³
Terrace: 329x104 cm
Door/window type: Summer
Door/window glass:
Double glass, 3-9-3 mm
Window opening measurements:
76x90cm

Door opening measurements: 74x195 cm
Door sill: low, covered with stainless steel
Roof boards: 19 mm
Roof area: 36,0 m²
Roof gradient: 20,4°

OPTIONAL

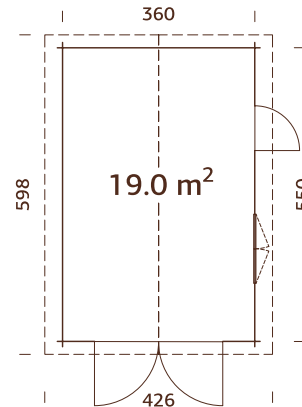
Roofing felt: 7 rolls, shingles: 14 packs, roofing nails, window shutters, window boxes. Can also be ordered with a clear white or brown dip treatment.



GARAGES

Lawnmower, bike, shovel and rake... sometimes you just need a simple place to store things like this. Also your car may need protection from rain, sun or snow. Here is our recommended selection.

Wisconsin 1 19.0 m² [no door]
Wisconsin 2 19.0 m² [wood door]
Wisconsin 3 19.0 m² [metal door]



34 mm



276 cm



--

MODEL SPECIFICATIONS

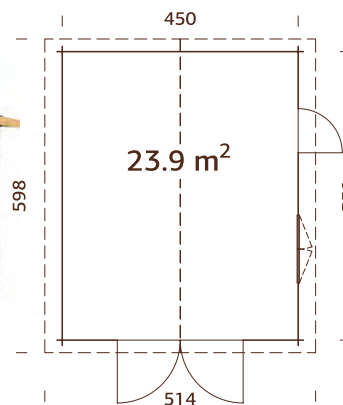
Log measurements: 350x530 cm
 Wall height: 217 cm
 Volume: 39,4 m³
 Door/window type: Garden
 Door opening measurements:
 225x194 cm

Roof boards: 19 mm
 Roof area: 22,9 m²
 Roof gradient: 17,6°

OPTIONAL

Roofing felt: 6 rolls, shingles:
 10 packs, roofing nails, rain
 gutters, extension, canopy
 roof, additional door.
 Can also be ordered with
 a clear white or brown dip
 treatment.

Houston 1 23.9 m² [no door]
Houston 2 23.9 m² [wood door]
Houston 3 23.9 m² [metal door]



Strong purlins from laminated
 wood. Option: internal wall.



44 mm



287 cm



--

MODEL SPECIFICATIONS

Log measurements: 470x570 cm
 Wall height: 217 cm
 Volume: 59,0 m³
 Door/window type: Garden+
 Door/Window type:
 Double glass, 3-6-3 mm
 Window opening
 measurements: 119x89 cm

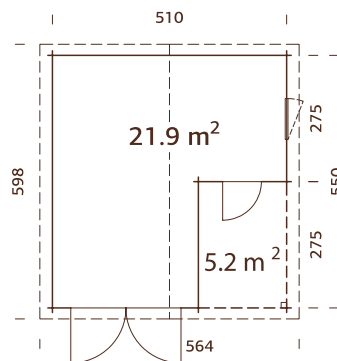
Door opening measurements: 74x175 cm
 Wooden door opening measurements:
 225x194 cm
 Roof boards: 19 mm
 Roof area: 31,7 m²
 Roof gradient: 15,7°

OPTIONAL

Roofing felt: 7 rolls, shingles:
 12 packs, roofing nails, rain
 gutters, extension, canopy
 roof, window boxes, internal
 wall, additional door.
 Can also be ordered with
 a clear white or brown dip
 treatment.

STORAGE

Indiana 1 21.9 + 5.2 m² [no door]
Indiana 2 21.9 + 5.2 m² [wood door]
Indiana 3 21.9 + 5.2 m² [metal door]



Can be built in reverse!
 Strong purlins from laminated wood.



44 mm



321 cm



--

MODEL SPECIFICATIONS

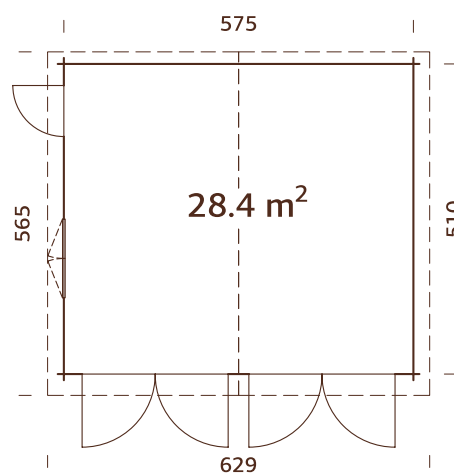
Log measurements: 530x570 cm
 Wall height: 228 cm
 Volume: 60,0 m³
 Door/window type: Garden+
 Door/Window type:
 Double glass, 3-6-3 mm
 Window opening measurements:
 78x89 cm

Door opening measurements: 74x175 cm
 Wooden gate opening measurements:
 225x194 cm
 Roof boards: 19 mm
 Roof area: 31,7 m²
 Roof gradient: 15,7

OPTIONAL

Roofing felt: 7 rolls, shingles:
 14 packs, roofing nails, rain
 gutters, extension, canopy
 roof, window boxes, additional
 door. Can also be ordered with
 a clear white or brown dip
 treatment.

Colorado 1 28.4 m² [no door]
Colorado 2 28.4 m² [wood door]
Colorado 3 28.4 m² [metal door]



Strong purlins from laminated wood.



44 mm



310 cm



--

MODEL SPECIFICATIONS

Log measurements: 595x530 cm
 Wall height: 217 cm
 Volume: 73,5 m³
 Door/window type: Garden+
 Door/Window glass:
 Double glass, 3-6-3 mm
 Window opening measurements:
 119x89 cm

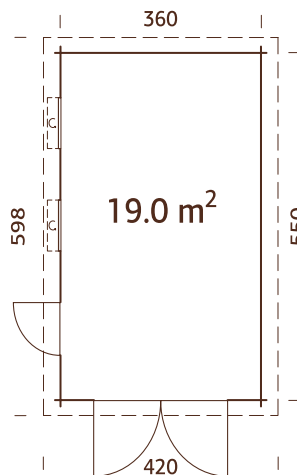
Door opening measurements: 74x175 cm
 Wooden gate opening measurements:
 225x194 cm
 Roof boards: 19 mm
 Roof area: 36,8 m²
 Roof gradient: 16,8

OPTIONAL

Roofing felt: 9 rolls, shingles:
 14 packs, roofing nails, rain
 gutters, extension,
 canopy roof, window boxes,
 additional door.
 Can also be ordered with
 a clear white or brown dip
 treatment.

**UNDER
PLANNING**

Kansas 1 19.0 m² [no door]
Kansas 2 19.0 m² [wood door]
Kansas 3 19.0 m² [metal door]



Strong purlins from laminated wood.



44 mm



243 cm



--

MODEL SPECIFICATIONS

Log measurements: 380x570 cm
 Wall height: 228 cm
 Volume: 42,2 m³
 Door/window type: Garden
 Door/Window glass: Real glass, 4 mm
 Window opening measurements: 70x43 cm

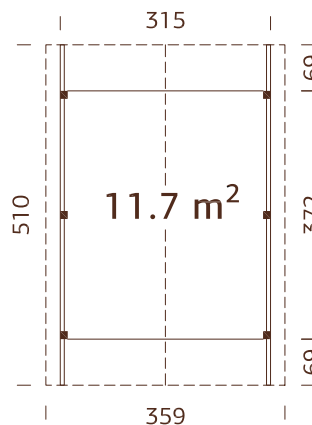
Door opening measurements: 74x182 cm
 Wooden gate opening measurements: 225x194 cm
 Roof boards: 19 mm
 Roof area: 24,5 m²
 Roof gradient: 1,8°

OPTIONAL

Roofing felt: 6 rolls, EPDM, roofing nails, rain gutters, extension, canopy roof, additional doors.
 Can also be ordered with a clear white or brown dip treatment.



Apache County 11.7 m²



Strong posts from laminated wood!



120x120 mm



299 cm



--

MODEL SPECIFICATIONS

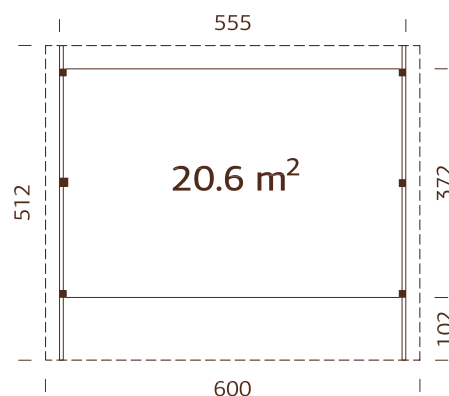
Measurements: 315x372 cm
 Wall height: 199 cm
 Volume: 30,8 m³

Roof boards: 19 mm
 Roof area: 20,1 m²
 Roof gradient: 25,0°

OPTIONAL

Roofing felt: 5 rolls, shingles: 8 packs, roofing nails, rain gutters, anchors. Can also be ordered with a clear white or brown dip treatment.

Adams County 20.9 m²



Strong posts from laminated wood!



120x120 mm



244 cm



mm

MODEL SPECIFICATIONS

Measurements: 600x512 cm
Wall height: 221 cm
Volume: 67,8 m³

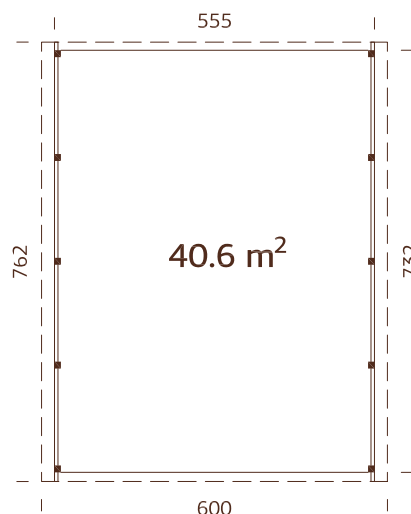
Roof boards: 19 mm
Roof area: 30,7 m²
Roof gradient: 1,1°

OPTIONAL

Roofing felt: 7 rolls, roofing nails, EPDM, rain gutters, anchors, arch from laminated wood.

Can also be ordered with a clear white or brown dip treatment.

Addison County 40.6 m²



Strong posts from laminated wood! Extension is an optional extra.



120x120 mm



244 cm



mm

MODEL SPECIFICATIONS

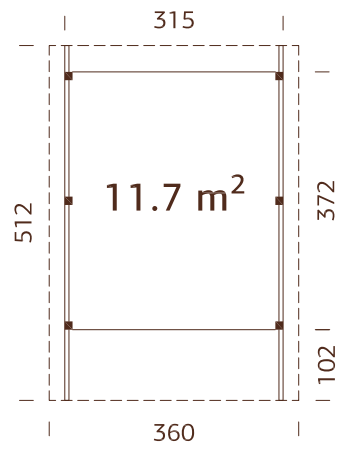
Measurements: 600x762 cm
Wall height: 221 cm
Volume: 103,0 m³

Roof boards: 19 mm
Roof area: 46,6 m²
Roof gradient: 1,1°

OPTIONAL

Roofing felt: 8 rolls, roofing nails, EPDM, rain gutters, anchors, arch from laminated wood, extension. Can also be ordered with a clear white or brown dip treatment.

Arkansas 11.9 m²



Strong posts from laminated wood!



120x120 mm



299 cm



mm

MODEL SPECIFICATIONS

Measurements: 315x372 cm
 Wall height: 199 cm
 Volume: 30,8 m³

Roof boards: 19 mm
 Roof area: 20,1 m²
 Roof gradient: 25,0°

OPTIONAL

Roofing felt: 5 rolls, shingles: 8 packs, roofing nails, rain gutters, anchors. Can also be ordered with a clear white or brown dip treatment.





GAZEBOS



Made from Canadian Cedar our great-looking, long-lasting outdoor gazebos unite families and friends in gardens everywhere and provide an excellent way to create a secluded area in your garden for relaxing soaks and romantic evenings. Our gazebos can be utilised for a variety of options from hot tub surround, your own private relaxation area, an exercise room or a poolside changing room.



THE CHEHALIS

The Chehalis is an open air gazebo. You can enjoy the outdoors and still be shaded from the sun's rays or even the rain - making this an all year round enclosure. Made from Canadian Cedar, It's pleasing to the eye without covering your landscape. The skylight allows the moon's light to shine through on clear evenings.

AVAILABLE SIZES

MODEL	DIMENSIONS
CHEHALIS 1	9' x 9'
CHEHALIS 2	10' x 10'
CHEHALIS 3	12' x 12'

FEATURES

Canadian Red Cedar Logs

The natural aromatic oils in Western Red Cedar make for the ultimate outdoor location. This wood has a high resistance to decay.



Skylight Dome

Let natural light in without the harmful UV rays. This Skylight is made of an impact-resistant polymer, with a light bronze tint.



Palm Roof

This Gazebo is also available with a Palm Roof option, to replace the Cedar Roof.



Western Red Cedar Shake Roof

This classic roof style is functional and stylish, providing a warm look to your decor. It also has a high natural resistance to decay.



Made in Canada

Manufactured in Chilliwack, British Columbia. Wood materials sourced from Canada guarantees a finished structure as beautiful and strong.





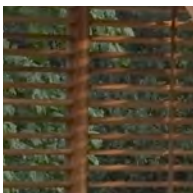
THE PARTY CHEHALIS

The Party Chehalis incorporates four bar stools and a bar for placing your drinks, or a place for your music & speakers. Made from Canadian Cedar, This enclosure provides two quality cedar louvered sides, when open will allow the cool breeze to flow through, or when closed, protects you from the wind and gives you and your loved ones a cosier atmosphere.

FEATURES

Privacy Louvre Panels

These durable privacy panels put you in control of your visibility, with an easy-to-use lever and are made of painted Western Redcedar.



Skylight Dome

Let natural light in without the harmful UV rays. This Skylight is made of an impact-resistant polymer, with a light bronze tint.



Bar Kit & Stools

The stools are made of painted Western Red Cedar and have a water-resistant soft vinyl cushion. Add candles at night for a great warming touch.



AVAILABLE SIZES

MODEL

PARTY CHEHALIS 1

PARTY CHEHALIS 2

PARTY CHEHALIS 3

DIMENSIONS

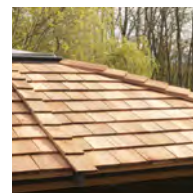
8' x 8'

9' x 9'

10' x 10'

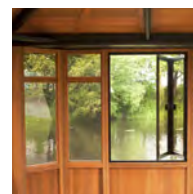
Western Red Cedar Shake Roof

This classic roof style is functional and stylish, providing a warm look to your decor. It also has a high natural resistance to decay.



Cedar Log Trellis

The natural aromatic oils in Western Red Cedar make for the ultimate outdoor location. This wood has a high resistance to decay.



Made in Canada

Manufactured in Chilliwack, British Columbia. Wood materials sourced from Canada guarantees a finished structure as beautiful and strong.





TAMIHI

A fully enclosed building, with bronzed acrylic windows for ventilation and viewing. The bug resistant Candian Cedar is outstanding when housing a hot tub, as water can attract bugs but the cedar repels them! Use also as a study or hobby room, a changing room, a pool-house, the list is endless. The favourite 3' x 3' skylight, gives extra flair to this truly outstanding enclosure.

AVAILABLE SIZES

MODEL	DIMENSIONS
TAMIHI 1	8' x 8'
TAMIHI 2	10' x 10'
TAMIHI 3	10' x 12'

FEATURES

Smoked Windows

Tempered safety glass. Roller wheels let you easily open and close the window, and a pin lock.



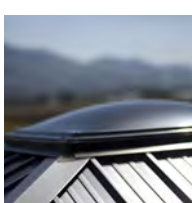
Sliding Privacy Door

Includes tempered safety glass, aluminium rail and stile components premium door handles and a deadbolt lock.



Skylight Dome

Let natural light in without the harmful UV rays. This Skylight is made of an impact-resistant polymer, with a light bronze tint.



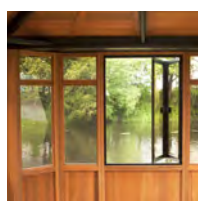
Western Red Cedar Shake Roof

This classic roof style is functional and stylish, providing a warm look to your decor. It also has a high natural resistance to decay.



Cedar Log Trellis

The natural aromatic oils in Western Red Cedar make for the ultimate outdoor location. This wood has a high resistance to decay.



Made in Canada

Manufactured in Chilliwack, British Columbia. Wood materials sourced from Canada guarantees a finished structure as beautiful and strong.





CHILLIWACK

This is the largest structure in this series. A relaxing spa room in your own garden to enjoy with friends and family. The smooth gliding windows, in a bronzed acrylic, allow for ventilation and the two skylights increase the natural light to flow freely throughout this magnificent building. Made from Canadian Cedar. A great investment to be enjoyed for years to come.

FEATURES

Smoked Windows

Tempered safety glass. Roller wheels let you easily open and close the window, and a pin lock.



Sliding Privacy Door

Includes tempered safety glass, aluminium rail and stile components, premium door handles and a deadbolt lock.



Skylight Dome

Let natural light in without the harmful UV rays. This Skylight is made of an impact-resistant polymer, with a light bronze tint.



AVAILABLE SIZES

MODEL

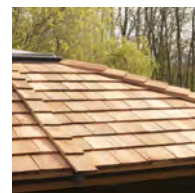
CHILLIWACK 1

DIMENSIONS

12' x 14'

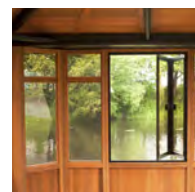
Western Red Cedar Shake Roof

This classic roof style is functional and stylish, providing a warm look to your decor. It also has a high natural resistance to decay.



Cedar Log Trellis

The natural aromatic oils in Western Red Cedar make for the ultimate outdoor location. This wood has a high resistance to decay.



Made in Canada

Manufactured in Chilliwack, British Columbia. Wood materials sourced from Canada guarantees a finished structure as beautiful and strong.





WELLNESS

Thanks to its unique louver system and smoked acrylic skylight dome in the roof, the Wellness Gazebo offers comfortable privacy and excellent viewing. Made from Canadian Cedar, you can opt for louvered corners, or full-louvered walls on two or three sides—all to suit your tastes from outdoor dining to hot tub enclosure.

AVAILABLE SIZES

MODEL	DIMENSIONS
WELLNESS 1	8' x 8'
WELLNESS 2	9' x 9'
WELLNESS 3	10' x 10'

FEATURES

Full Louvered Wall

These durable privacy walls put you in control of your visibility, with an easy-to-use lever and are made of painted Western Redcedar.



Western Red Cedar Shake Roof

This classic roof style is functional and stylish, providing a warm look to your decor. It also has a high natural resistance to decay.



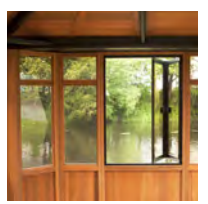
Skylight Dome

Let natural light in without the harmful UV rays. This Skylight is made of an impact-resistant polymer, with a light bronze tint.



Cedar Log Trellis

The natural aromatic oils in Western Red Cedar make for the ultimate outdoor location. This wood has a high resistance to decay.



Made in Canada

Manufactured in Chilliwack, British Columbia. Wood materials sourced from Canada guarantees a finished structure as beautiful and strong.





OCTAGON

Handcrafted with durable cedar logs or dimensional white cedar material, are built in Canada especially for harsh Canadian climates. These beautiful, classic gazebos are a perfect centerpiece for your backyard, and family favorites for barbecue suppers, parties, or even weddings. Each features cedar flooring, cedar roof frames, and mortise and tenon log railings.

FEATURES

Solid Cedar Flooring

Optional Double Roof

Optional Short Top Railings

Palm Roof

Screen Kit

Made in Canada

Manufactured in Chilliwack, British Columbia. Wood materials sourced from Canada guarantees a finished structure as beautiful and strong.



AVAILABLE SIZES

MODEL

OCTAGON 1

OCTAGON 2

OCTAGON 3

DIMENSIONS

8' DIAMETER

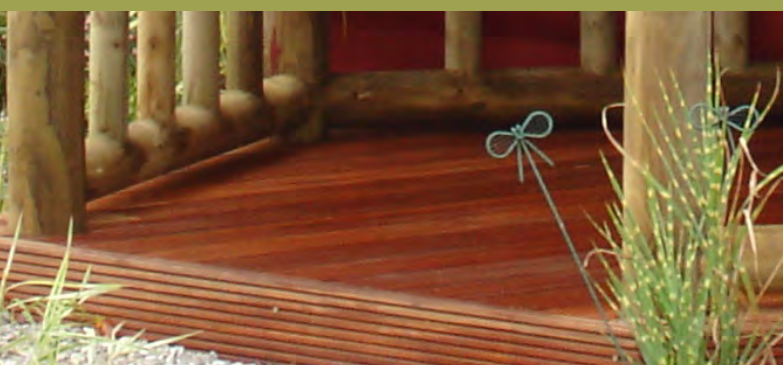
10' DIAMETER

11'4" DIAMETER





AFRICAN ENCLOSURES

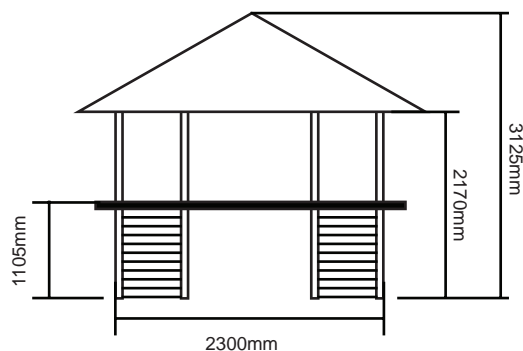


Our Cape Reed Thatch buildings come complete with a thatched roof without the expense and time associated with a genuine thatched roof. Cape Reed Thatch Tiles themselves are naturally flexible allowing them to be used on unusual designs, and require no special tools or skills to install. Once installed our tiles are 98% watertight, require no maintenance and have a lifespan of 6-10 years.



SMALL TIKI BAR

The Small Tiki Bar is a flexible new product that combines the style of a tropical thatch roof with a robust and attractive design. This ensures it will look stunning in a wide range of potential applications. The Small Tiki Bar has many potential domestic applications including a garden bar and an undercover BBQ area. Whether your requirement is a unique bar for the home, or an alternative way to promote your business, the Small Tiki Bar is an ideal solution.



SPECIFICATIONS

- Supplied with 5 bar sections and internal shelving
- All timbers treated with Osmose Wood preservative and pre-stained
- Galvanised Steel Roof framework
- Cape Reed thatch tiles have a life expectancy of 6-10 years
- The thatched roof will eliminate 100% of UV and is 98% watertight

POTENTIAL USES

- GARDEN BAR
- FOOD & DRINK STATION
- BBQ HUT
- POOLSIDE BAR/GAZEBO
- PRIVATE SANCTUARY

ACCESSORIES



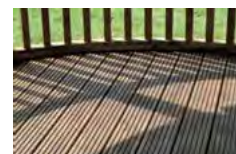
Canvas Side Panels
(24 Colours)



Canvas Roof
Lining



Bar Stool Kit



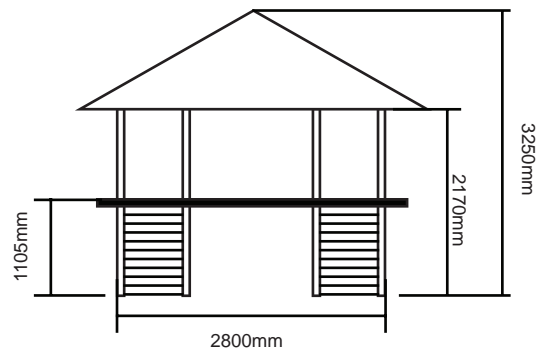
Raised Timber Floor



LARGE TIKI BAR

The Large Tiki Bar is a flexible new product that combines the style of a tropical thatch roof with a robust and attractive design. This ensures it will look stunning in a wide range of potential applications.

The Large Tiki Bar has many potential domestic applications including a garden bar and an undercover BBQ area. Whether your requirement is a unique bar for the home, or an alternative way to promote your business, the Large Tiki Bar is an ideal solution.



SPECIFICATIONS

- Supplied with 5 bar sections and internal shelving
- All timbers treated with Osmose Wood preservative and pre-stained
- Galvanised Steel Roof framework
- Cape Reed thatch tiles have a life expectancy of 6-10 years
- The thatched roof will eliminate 100% of UV and is 98% watertight

POTENTIAL USES

- GARDEN BAR
- FOOD & DRINK STATION
- BBQ HUT
- POOLSIDE BAR/GAZEBO
- PRIVATE SANCTUARY

ACCESSORIES



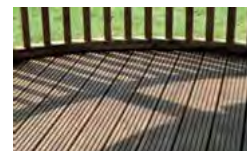
Canvas Side Panels
(24 Colours)



Canvas Roof
Lining



Bar Stool Kit



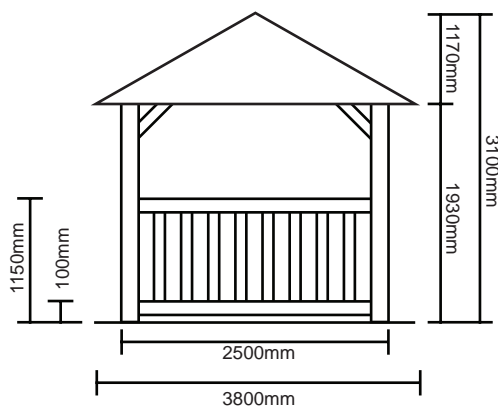
Raised Timber Floor



7FT HOT TUB ENCLOSURE

Our 7ft Enclosure has been designed so you can enjoy your hot tub in a relaxing and private space. It can also be used as a flexible outdoor living space, perfect for long summer days or evenings.

Simply enjoy this quiet retreat or stylish outdoor party area, with a host of optional accessories to make your enclosure comfortable and functional.



FEATURES



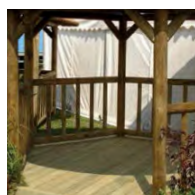
Balustrades

Round balustrades finish your Enclosure and perfectly compliment the overall design.



Thatched Roof

Each roof is constructed from a galvanised frame and rafters, then topped with a striking thatch covering. Roof linings are available for a great finish.



Redwood Timber Frames

Each beautiful Redwood timber frame is made from responsibly sourced Rainforest Alliance certified Redwood for fantastic durability.



Thatch Tiles

The Enclosure has the traditional thatch roof finish giving it a rustic, yet modern appeal.

ACCESSORIES



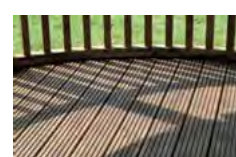
Canvas Side Panels
(24 Colours)



Canvas Roof
Lining



Bar Stool Kit



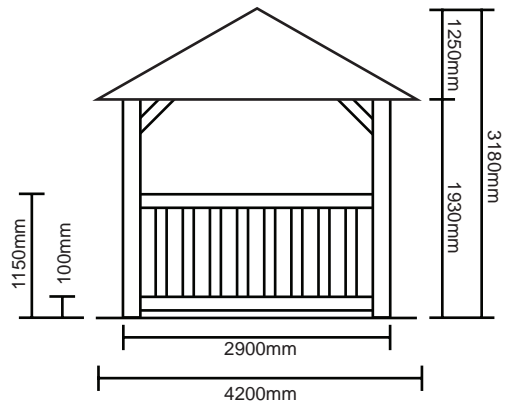
Raised Timber Floor



8FT HOT TUB GAZEBO

Our 8ft Enclosure is ideal for those memorable garden barbecues with family and friends, or is the perfect shelter for a larger hot tub in a relaxing and private space.

Manufactured from the highest quality machined timber - sourced responsibly with FSC approval, providing guaranteed strength and longevity.



FEATURES



Balustrades
Round balustrades finish your Enclosure and perfectly compliment the overall design.



Thatched Roof
Each roof is constructed from a galvanised frame and rafters, then topped with a striking thatch covering. Roof linings are available for a great finish.



Redwood Timber Frames
Each beautiful Redwood timber frame is made from responsibly sourced Rainforest Alliance certified Redwood for fantastic durability.



Thatch Tiles
The Enclosure has the traditional thatch roof finish giving it a rustic, yet modern appeal.

ACCESSORIES



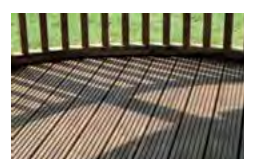
Canvas Side Panels (24 Colours)



Canvas Roof Lining



Bar Stool Kit



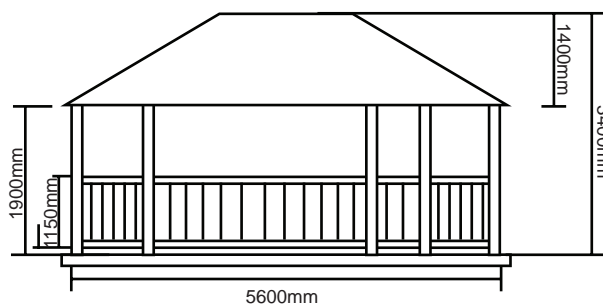
Raised Timber Floor



OVAL HOT TUB GAZEBO

Our 18ft Oval Enclosure is ideal for luxury hot tubs or can be used as a larger dining, seating or poolside entertaining area.

Elegant and attractive in appearance, our Oval Enclosure offers a cool and peaceful aura that will enhance any home or recreational area.



FEATURES



Balustrades

Round balustrades finish your Enclosure and perfectly compliment the overall design.



Redwood Timber Frames

Each beautiful Redwood timber frame is made from responsibly sourced Rainforest Alliance certified Redwood for fantastic durability.



Thatched Roof

Each roof is constructed from a galvanised frame and rafters, then topped with a striking thatch covering. Roof linings are available for a great finish.



Thatch Tiles

The Enclosure has the traditional thatch roof finish giving it a rustic, yet modern appeal.

ACCESSORIES



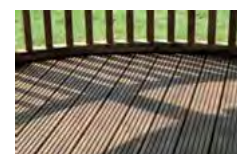
Canvas Side Panels
(24 Colours)



Canvas Roof
Lining



Bar Stool Kit



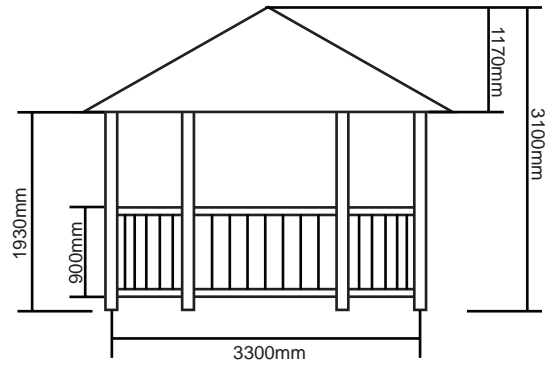
Raised Timber Floor



6FT ROUND HOT TUB GAZEBO

Our 6ft Enclosure is based upon a traditional African hut design and can comfortably seat 6 to 8 people. Although this is our smallest building, its proportions ensure it is a stunning focal point in any size of garden.

These Enclosures offer a highly protective structure for your hot tub and are beautifully manufactured, bringing style elegance and privacy to your garden.



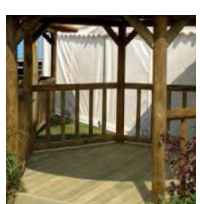
FEATURES



Balustrades
Round balustrades finish your Enclosure and perfectly compliment the overall design.



Thatched Roof
Each roof is constructed from a galvanised frame and rafters, then topped with a striking thatch covering. Roof linings are available for a great finish.



Redwood Timber Frames
Each beautiful Redwood timber frame is made from responsibly sourced Rainforest Alliance certified Redwood for fantastic durability.

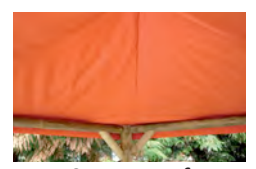


Thatch Tiles
The Enclosure has the traditional thatch roof finish giving it a rustic, yet modern appeal.

ACCESSORIES



Canvas Side Panels (24 Colours)



Canvas Roof Lining



Bar Stool Kit



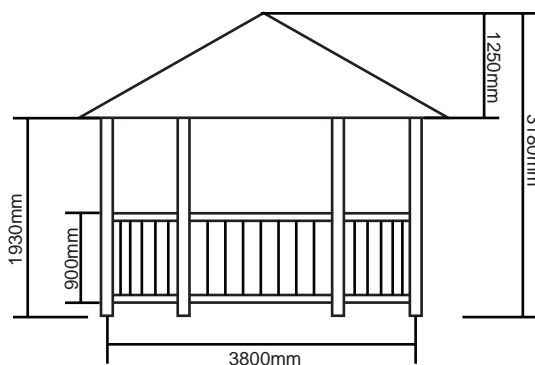
Raised Timber Floor



7FT ROUND HOT TUB GAZEBO

Our 7ft Enclosure is based upon a traditional African hut design and can comfortably seat 10 to 12 people. It's proportions ensure it is a stunning focal point in any size of garden.

These Enclosures offer a highly protective structure for your hot tub and are beautifully manufactured, bringing style elegance and privacy to your garden.



FEATURES



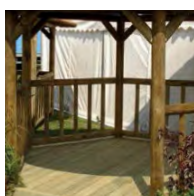
Balustrades

Round balustrades finish your Enclosure and perfectly compliment the overall design.



Thatched Roof

Each roof is constructed from a galvanised frame and rafters, then topped with a striking thatch covering. Roof linings are available for a great finish.



Redwood Timber Frames

Each beautiful Redwood timber frame is made from responsibly sourced Rainforest Alliance certified Redwood for fantastic durability.



Thatch Tiles

The Enclosure has the traditional thatch roof finish giving it a rustic, yet modern appeal.

ACCESSORIES



Canvas Side Panels
(24 Colours)



Canvas Roof
Lining



Bar Stool Kit



Raised Timber Floor



BBQ HUTS



Our BBQ Huts can be anything you want them to be and are a great way of adding extra indoor space to your home. The walls of all our cabins are 44mm thick; warm! Insulate the roof and then you can use the cabin for any purpose you can think of from home offices to playhouses all year round. Manufactured by hand, using traditional methods and top grade timber. The quality of our buildings is unequalled anywhere else, we are so confident of this we offer a no quibble 10 year manufacturers guarantee giving you complete piece of mind.

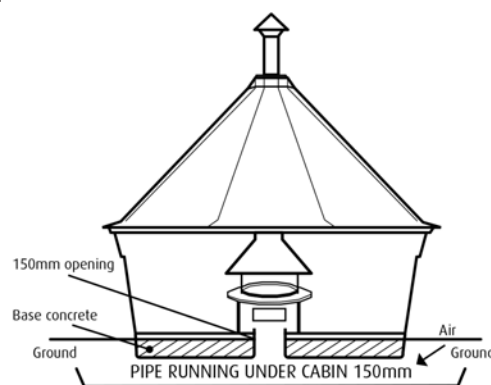


7M BBQ HUT

The 7m² BBQ Cabin is an exact two thirds scale replica of our popular 10m² Cabin, ideal for situations where space is limited.

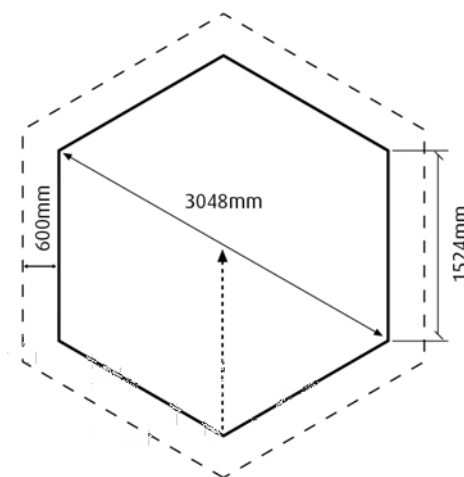
This is the smallest of our cabins and this is where the unique design of a 'sloped wall' BBQ Hut really comes into its own.

Not only are the cabins more attractive to look at they are in fact roomier and more comfortable inside, this small cabin is big enough for family get-togethers, sleep overs and is perfect for romantic evenings – you will feel like you're far away but your just steps from home.



FEATURES

- Seats 8
- Sleeps 2 – 3
- Handmade in the UK from the best sustainable Arctic pine
- 3 double glazed, secure, opening windows
- Double glazed, secure door fitted with a mortice lock
- Central BBQ Grill
- A table fitted around the grill
- Top quality shingle roof
- Full timber floor
- Snuggly reindeer skins and accessory pack included



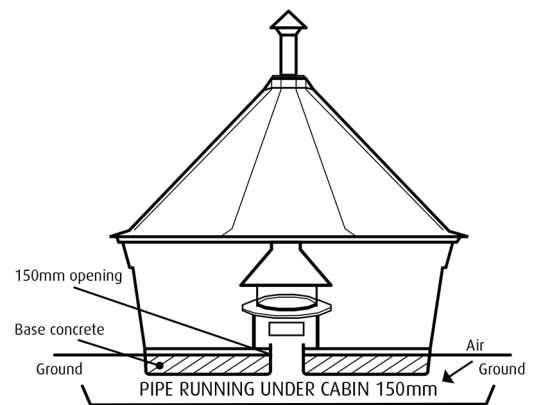


10M BBQ HUT

The 10m² 'sloping-walled' BBQ Cabin is the most popular in our range. With the beautiful Scandinavian design, coupled with ample space and practical year-round use.

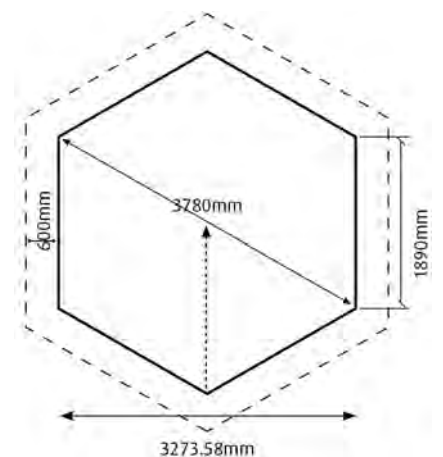
With 10 square meters of space you will effortlessly seat 15 people in your cabin, creating a cosy, intimate, fun environment. Our cabins not only look great but they are practical too; warm and snug in the winter and they offer welcome shade in the summer.

And they aren't just for barbecuing ... with specially adaptable benches as standard they are great for sleepovers too, creating a teenage den, a unique guest room or a very impressive 'man cave.'



FEATURES

- Seats 15
- Sleeps 2 – 3
- Handmade in the UK from the best sustainable Arctic pine
- 3 double glazed, secure, opening windows
- Double glazed, secure door fitted with a mortice lock
- Central BBQ Grill
- A table fitted around the grill
- Top quality shingle roof
- Full timber floor
- Snuggly reindeer skins and accessory pack included



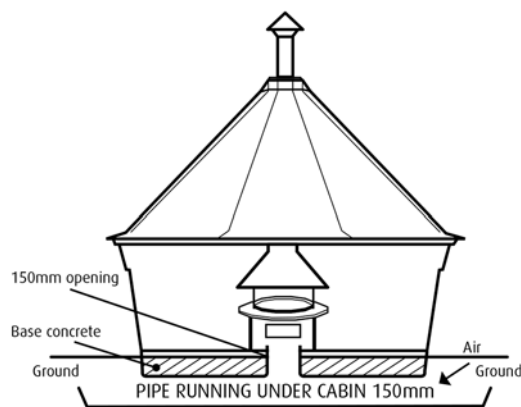


14M BBQ HUT

If you need something bigger than our 10m² BBQ Cabin, but haven't got the room for a 17m², the 14m² BBQ Cabin might be the one for you.

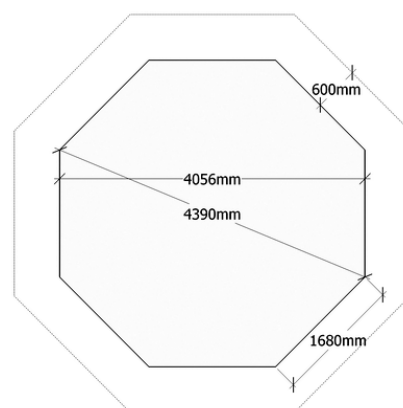
This large timber BBQ Hut is incredibly versatile. It's great for larger gatherings and parties but, because of its size you can have this beautiful, extraordinary cabin for any use you can think of!

Our customers have used them for home gyms, hot tub rooms, garden offices, artist studios, sewing rooms and enviable man caves and teenage dens. What will you use yours for?



FEATURES

- Seats 21
- Sleeps 4
- Handmade in the UK from the best sustainable Arctic pine
- 4 double glazed, secure, opening windows
- Double glazed, secure door fitted with a mortice lock
- Central BBQ Grill
- A table fitted around the grill
- Top quality shingle roof
- Full timber floor
- Snuggly reindeer skins and accessory pack included



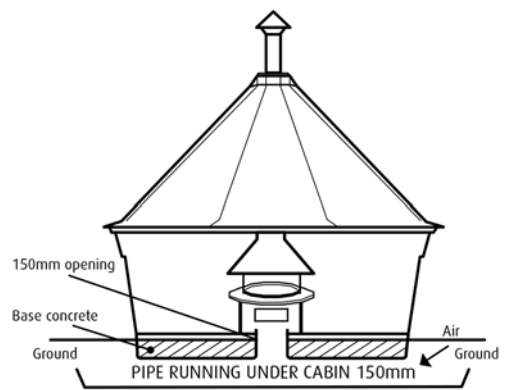


17M BBQ HUT

The 17m² BBQ Cabin is a large building with many potential uses – an office at home, an extra bedroom, fishing or shooting lodge, or even a classroom – the list goes on.

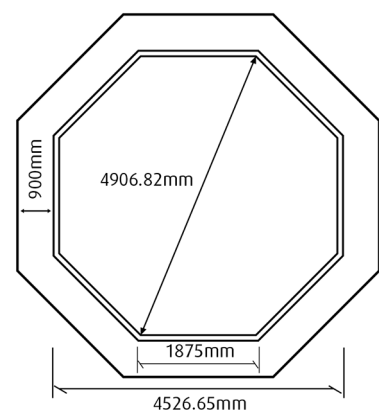
Not only is this an extremely beautiful building, it is also a very cost effective way of adding more indoor space to any home or business.

This large timber BBQ Hut is incredibly versatile. It's great for larger gatherings and parties but, because of its size you can have this beautiful, extraordinary cabin for any use you can think of!



FEATURES

- Seats 25
- Sleeps 4
- Handmade in the UK from the best sustainable Arctic pine
- 4 double glazed, secure, opening windows
- Double glazed, secure door fitted with a mortice lock
- Central BBQ Grill
- A table fitted around the grill
- Top quality shingle roof
- Full timber floor
- Snuggly reindeer skins and accessory pack included



25M BBQ HUT

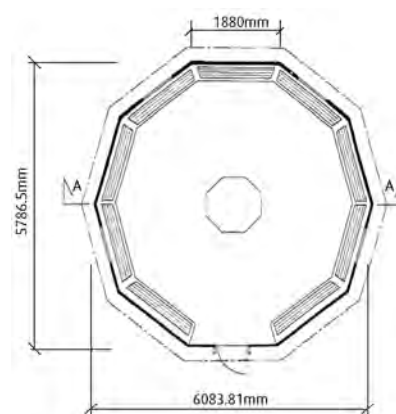
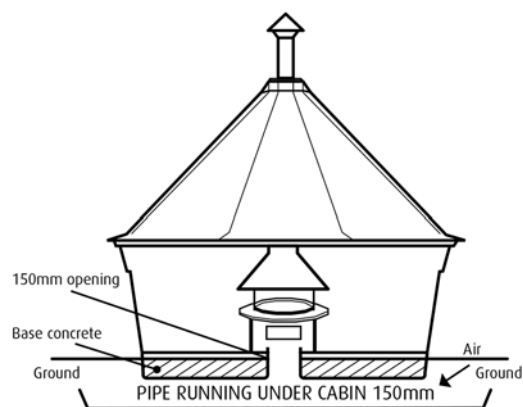
The 25m² BBQ Cabin is the largest in our range and to say it is big does not do it justice. You could quite happily live in this Cabin and some people do!

This cabin is massive! It is the largest in our range. It can be used as fishing and shooting lodges, camping barns, school classrooms (without the barbecue of course!), and outbound activity centre rest areas.

These durable structures are cool in the summer and warm in the winter, the possibilities for their use are only limited by your imagination.

FEATURES

- Seats 35 plus
- Sleeps 6
- Handmade in the UK from the best sustainable Arctic pine
- 4 double glazed, secure, opening windows
- Double glazed, secure door fitted with a mortice lock
- Central BBQ Grill
- A table fitted around the grill
- Top quality shingle roof
- Full timber floor
- Snuggly reindeer skins and accessory pack included





SAUNAS

Our range of Indoor, Outdoor, Barrel and Pod Saunas are made from Canadian furniture-grade cedar. By building all of our products with Canadian Western Red Cedar we offer both the quality and longevity and the beautiful aesthetics and aroma associated with the great outdoors.



CEDAR BARREL SAUNA

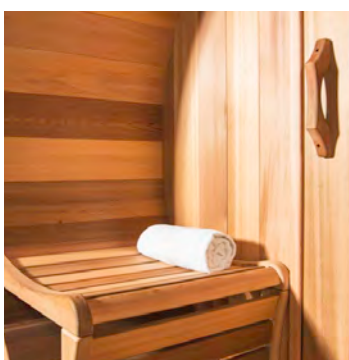
The barrel design reduces the heating area by 30% and improves the circulation, without compromising on space for sauna bathers. The cedar walls, 1½" thick, provide natural insulation and structural strength.

CLEAR WOOD MODELS

MODEL	DIMENSIONS	BASE SIZE (Diameter x Length)	SEATING
660	72" x 71" x 75" (182x180x190cm)	48" x 48" (122x122cm)	2 - 4
670	72" x 83" x 75" (182x210x190cm)	48" x 60" (122x152cm)	2 - 4
680	72" x 95" x 75" (182x240x190cm)	48" x 72" (122x182cm)	2 - 6
760	84" x 71" x 86" (212x180x218cm)	60" x 48" (152x122cm)	2 - 4
770	84" x 83" x 86" (212x210x218cm)	60" x 60" (152x152cm)	2 - 6
780	84" x 95" x 86" (212x240x218cm)	60" x 72" (152x182cm)	2 - 8

KNOTTED WOOD MODELS

MODEL	DIMENSIONS	BASE SIZE (Diameter x Length)	SEATING
662	72" x 71" x 75" (182x180x190cm)	48" x 48" (122x122cm)	2 - 4
672	72" x 83" x 75" (182x210x190cm)	48" x 60" (122x152cm)	2 - 4
682	72" x 95" x 75" (182x240x190cm)	48" x 72" (122x182cm)	2 - 6
762	84" x 71" x 86" (212x180x218cm)	60" x 48" (152x122cm)	2 - 4
772	84" x 83" x 86" (212x210x218cm)	60" x 60" (152x152cm)	2 - 6
782	84" x 95" x 86" (212x240x218cm)	60" x 72" (152x182cm)	2 - 8



ADDITIONAL OPTIONS

- 2' Porch
- 4' Changeroom
- Cedar Roof with EPDM Rubber
- Overhang Cove on Front
- Optional Floor in Sauna
- 2 Windows in Front Wall - 9" x 26" - bronzed plate glass
- Window in Back Wall - 20" x 30" - bronzed glass (electric heated models only)
- Full Acrylic Window in Back Wall (6' Dia.)



INDOOR CEDAR SAUNA

Bring the sauna experience indoors with our Indoor Log Saunas, built with solid 2 x 6" tongue-and-groove walls, as well as a unique, dove-tailed notching system to secure the corners together.

All cedar cabin saunas are available in clear or knotty red cedar and come with a full glass door. Optional seating and side windows are also available.

CLEAR WOOD MODELS

MODEL	DIMENSIONS	HEATER SIZE	SEATING
LS360	3' x 6'	4.5kw	1 - 2
LS460	4' x 6'	4.5kw	1 - 3
LS470	4' x 7'	4.5kw	1 - 3
LS550	5' x 5'	4.5kw	2 - 3
LS560	5' x 6'	6kw	2 - 3
LS570	5' x 7'	7kw	3 - 4
LS670	6' x 7'	8.3kw	3 - 5
LS680	6' x 8'	8.3kw	4 - 6

KNOTTED WOOD MODELS

MODEL	DIMENSIONS	HEATER SIZE	SEATING
LS362	3' x 6'	4.5kw	1 - 2
LS462	4' x 6'	4.5kw	1 - 3
LS552	5' x 5'	4.5kw	2 - 3





OUTDOOR CEDAR SAUNA

Another sauna, another shape! Dundalk Outdoor Cabin Saunas bring all the beauty, functionality and experience of our classic barrel saunas, but in the cabin format some of our customers prefer.

The outdoor cabin saunas fit perfectly on your deck or backyard patio or on your dock.

CLEAR WOOD MODELS

MODEL	DIMENSIONS	HEATER SIZE	SEATING
OLS640	6' x 4'	4.5kw	1 - 2
OLS660	6' x 6'	Wood Fired	3 - 4
OLS660	6' x 6'	7kw	3 - 4
OLS670	6' x 7'	Wood Fired	4 - 5
OLS670	6' x 7'	8.3kw	4 - 5
OLS680	6' x 8'	Wood Fired	5 - 6
OLS680	6' x 8'	8.3kw	5 - 6

KNOTTED WOOD MODELS

MODEL	DIMENSIONS	HEATER SIZE	SEATING
OLS642	6' x 4'	4.5kw	1 - 2
OLS662	6' x 6'	Wood Fired	3 - 4
OLS662	6' x 6'	7kw	3 - 4
OLS672	6' x 7'	Wood Fired	4 - 5
OLS672	6' x 7'	8.3kw	4 - 5
OLS682	6' x 8'	Wood Fired	5 - 6
OLS682	6' x 8'	8.3kw	5 - 6





CEDAR POD SAUNA

These organic rain-drop shaped outdoor saunas are the newest sensation in Home Sauna.

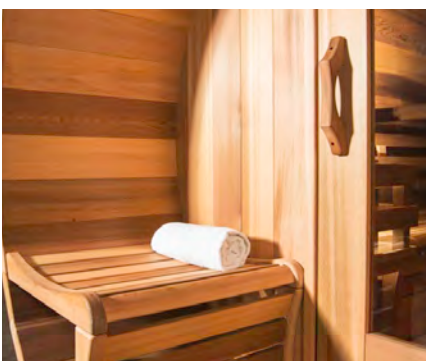
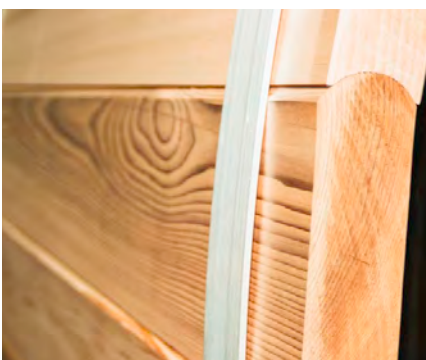
The extra head-space and wonderful design comes in various sizes with 1.5" thick walls and in both Clear Western Red Cedar and Knotty Red Cedar.

CLEAR WOOD MODELS

MODEL	DIMENSIONS	HEATER SIZE	SEATING
860	8' x 6'	6kw	2 - 4
870	8' x 7'	7.5kw	2 - 4
880	8' x 8'	7.5kw	6 - 8

KNOTTED WOOD MODELS

MODEL	DIMENSIONS	HEATER SIZE	SEATING
862	8' x 6'	6kw	2 - 4
872	8' x 7'	7.5kw	2 - 4
882	8' x 8'	7.5kw	6 - 8



ADDITIONAL OPTIONS

- Bevel Changing Room
- Bevel Porch
- 2' Overhang on Sauna
- 4' Changeroom on Sauna
- 2 Windows in Front Wall - 9" x 26" £585.00 bronzed plate glass
- Window in Back Wall - 20" x 30" - bronzed glass
- Bevel Siding Roof
- Cedar Shingle Roof



WOOD FIRED HOT TUB

Enjoy a hot, therapeutic bath in a deep-soaking cedar hot tub, all while you listen to the soft crackle of a fire in the wood stove.

Let hot, wood-heated water, accompanied by the sweet smell of warm, wet cedar, massage your aches and pains away.

CLEAR WOOD MODELS

MODEL	SHAPE	DIMENSIONS (Height x Diameter)	SEATING
360	Round	3' x 6'	4 - 6
370	Round	3' x 7'	5 - 8
450	Round	4' x 5'	2 - 4
460	Round	4' x 6'	4 - 6
470	Round	4' x 7'	5 - 8
3060	Oval	3' x 6'	4 - 6



VALKEA
SCANDINAVIAN CABINS

Watling Street
Dordon
Warwickshire
CV9 2PZ

TEL: 0808 169 6555
www.valkeacabins.com